

Bilge Pumps & Float Switches



Fresh Water Pumps & Water Pressure Systems



Toilets & Macerator Pumps



Other Equipment



SEAFLO®

SEAFLO®

MARINE & RV EQUIPMENT



Contents



07-19

Bilge Pumps / Livewell Pumps

Bilge Pumps
Shower Sump Pump Systems
Non-automatic Bilge Pumps Series
Livewell / Baitwell Pumps Series
Portable Aerator Kits
Live Bait Air Pump



20-22

Submersible / Inline Pumps

Low Voltage Submersible Pumps
Submersible and Line Pumps



23-28

Switch Panels / Float Switches

2/3-Way Switch Panels
3-Way Switch Panels
01 / 02 / 03 / 04 Float Switch Series
05 Electromagnetic Float Switch Series



29-43

Fresh Water Pumps

21 / 22 Series Fresh Water Pump
31 / 33 / 34 / 35 Series Fresh Water Pump
41 / 42 / 43 Series Fresh Water Pump
51 / 52 / 53 Series Fresh Water Pump



44-51

Washdown Pump Kits

41 Series portable Washdown Pump Kit
33 Series Washdown Pump Kit with 6 m coiled Hose
42 / 51 Series Washdown Pump Kit without Hose
42 / 51 Series Washdown Pump Kit with 7.5 m Hose
51 Series Washdown Pump Kit with 6 m Hose



51-56

Accumulator Tank Water Pressure Systems

Accumulator Tanks
33 / 42 / 51 Water Pressure Systems
Pump Accumulator Pressure Boost Systems



57-60

Toilets

Portable Toilets
Electric Marine Toilets
Electric Conversion Marine Toilets
Manually Operated Marine Toilet



61-62

Macerator Pumps

Macerator Pump 01 series
Macerator Pump 02 series



63-64

Air Conditioning Pumps

Air Conditioning Pumps 250 GPH
Air Conditioning Pumps 500 GPH



65-66

Gear Pumps

Gear Pumps
Self-priming Bilge Pumps



67-68

Hand Pumps

Piston Hand Pumps
Diaphragm Hand Pumps



69-72

Blowers

01 / 02 / 03 / 04 Series In-Line Blowers
01 / 02 / 03 Series Bilge Blowers



73-75

Battery Switches

Battery Isolator Switches
Battery Selector Switch



76

Plastic Accessories

External Showers
Shower Head And Hose Kit
Pvc Waste Valves



77-84

Plastic Accessories

Fold-Up Adjustable Drink Holders
Round Louver Air Vents
Plumbing Vents
Vent Covers
Water Inlets
Water Inlet Hatches
Dent Vents
Cable Hatches
RV Assist Rails
Handles



85-86

Hatches / Portholes

Hatches
Portholes



87

Sea Water Filters



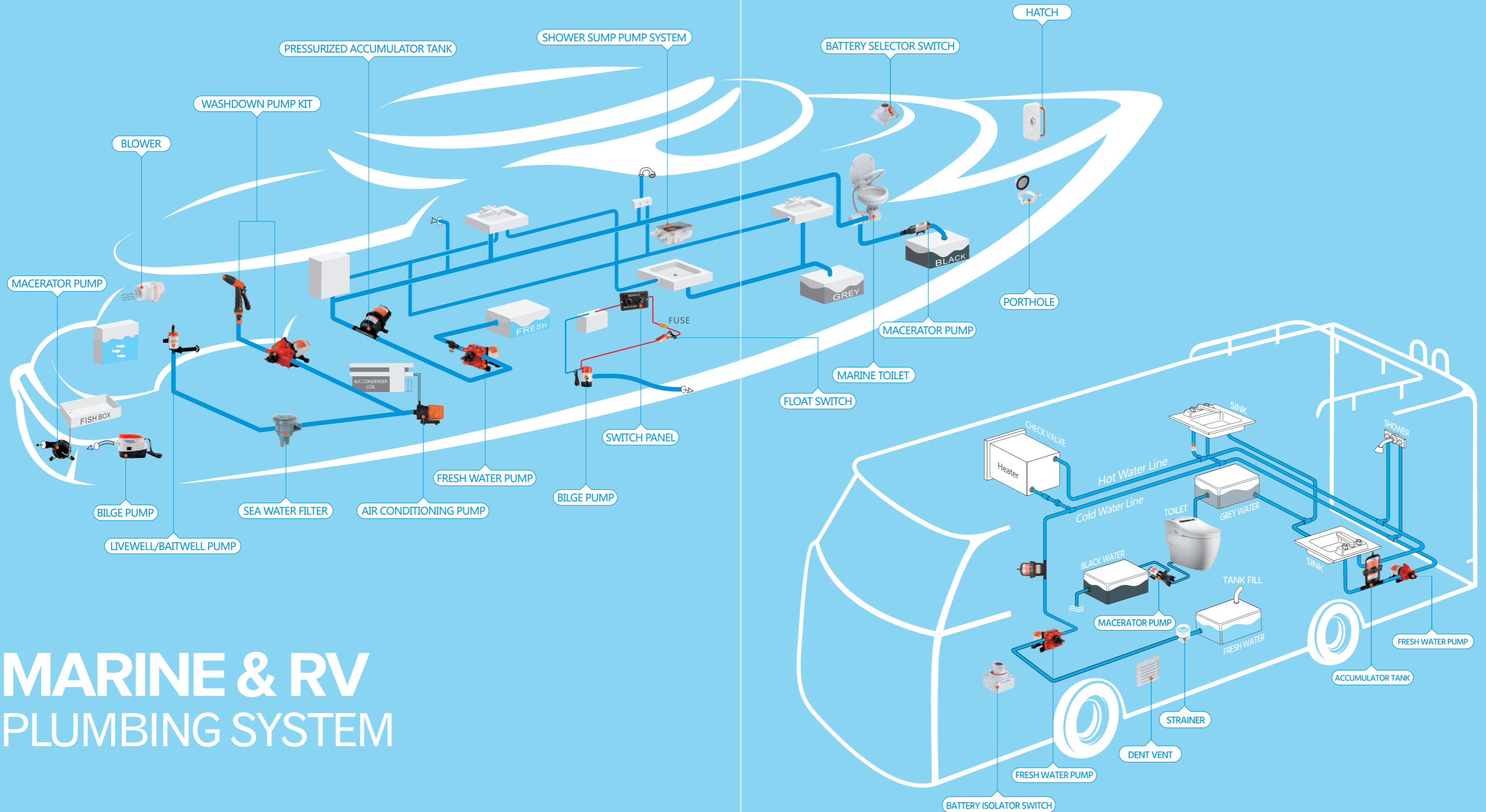
88

Fuel Cans



89-92

Other Accessories



MARINE & RV PLUMBING SYSTEM

CERTIFICATIONS

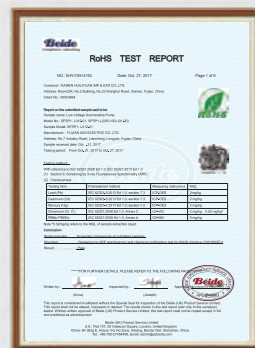
SEAFLO factory pays high value to ISO system including ISO 9001:2015, ISO 14001:2015 and ISO 18001:2007 for general management and production. SEAFLO not only has obtained 6 Invention Patents, 26 Utility Model Patents, 107 Design Patents till now, but also received many international authentications including CE, RoHS, REACH, CSA, FDA, ISO 8846 ISO 8849, PAHs etc.



CSA



CE



RoHS



FDA



Reach



UTILITY MODEL PATENT



ISO 9001:2015



ISO 14001:2015



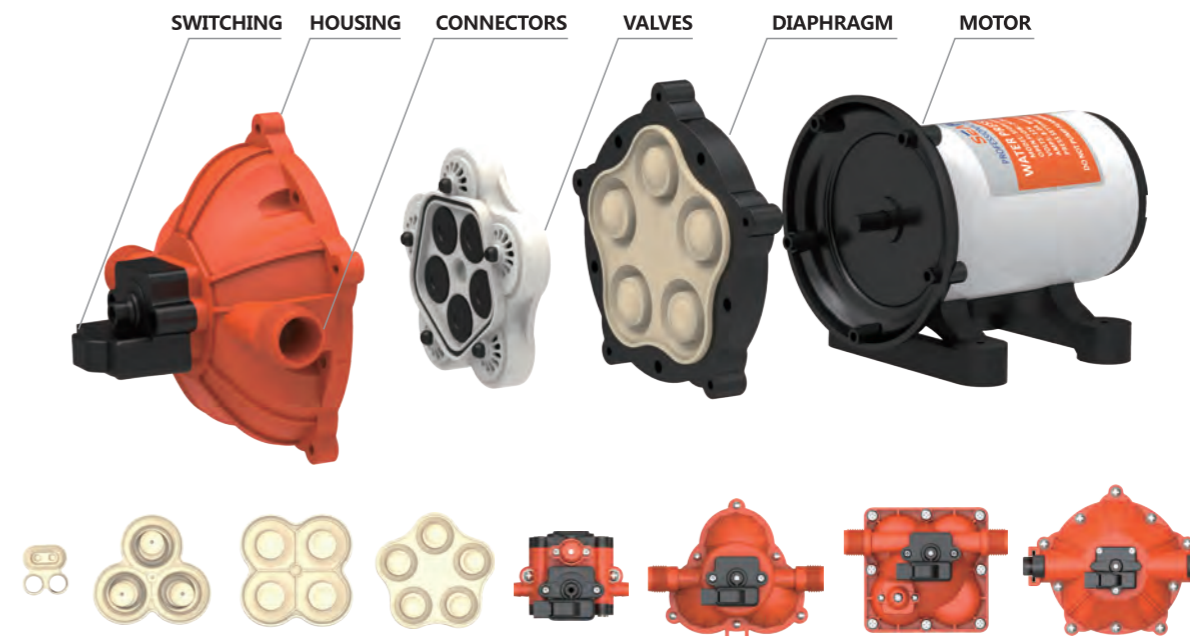
ISO 8846 ISO 8849



SGS

SEAFLO CUSTOM PUMP OPTIONS

FRESH WATER PUMPS



SWITCHING

- Bypass
- Demand
- Dual Controls
- No Controls
- Smart Controllers

HOUSING

- Nylon
- Polypro

VALVES

- Santoprene
- Viton
- Geolast
- Nylon
- Polypro
- BUNA
- EPDM

CONNECTORS

- Quick Attach
- FNPT
- MNPT

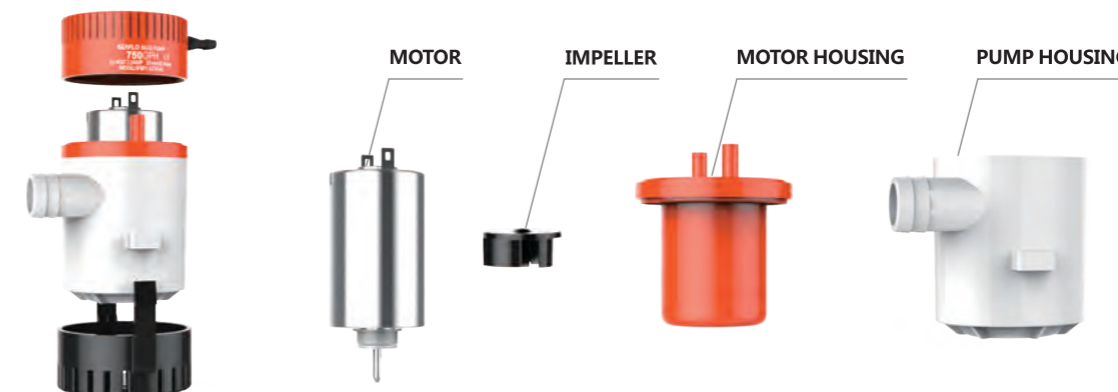
DIAPHRAGMS

- Santoprene
- Viton
- Geolast
- Various CAM Sizes
- BUNA

MOTORS

- Sealed
- 12,24 Volts
- 115,230 Volts
- Higher Output
- Heat Sinks
- Lead Sinks
- Lead Wires
- 2 Pin Connector
- On/Off Switch
- Special Electrical
- Connectors Available

BILGE PUMPS



Additional Options: Barcoding, CE certified, Various packaging options, Custom label/logo



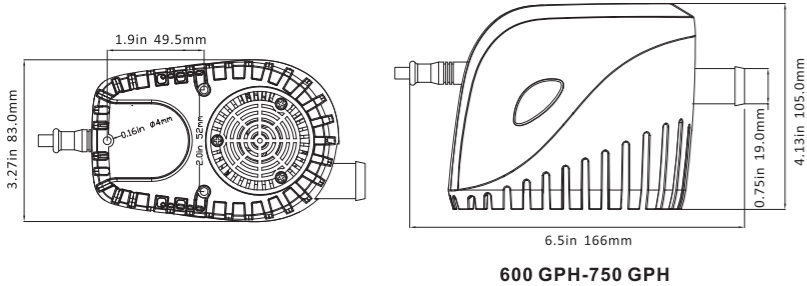
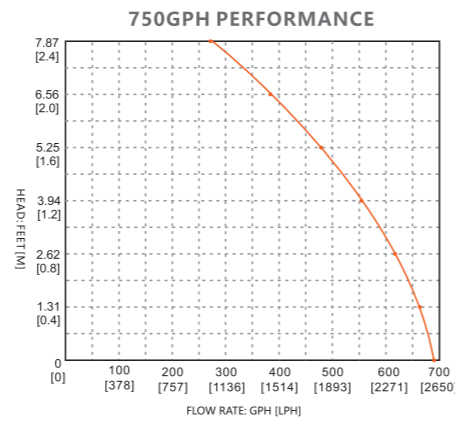
ELECTROMAGNETIC AUTO BILGE PUMPS 600/750/1100 GPH

FEATURES & BENEFITS

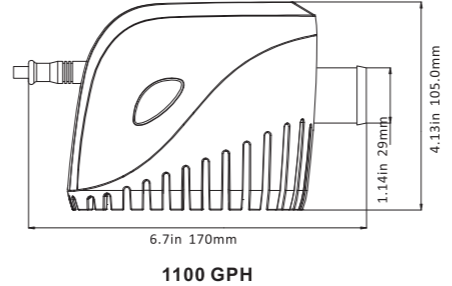
- All-in-one pump & Electromagnetic sensor switch
- Enclosed construction offers advanced reliability
- Our revolutionary, patented design
- Allows for effortless installation and service
- With the ability to quick disconnect the power line and the strainer base in seconds
- Proper pump care has never been easier
- Available in 600, 750, and 1100 GPH
- 18 AWG, 1 m long leads

MOTOR

- Type**
Sealed, efficient, long life motor
- Temperature Limits**
110 °F (43 °C) Max.
- Duty Cycle**
Intermittent



600 GPH-750 GPH



1100 GPH

STANDARD PUMP CONFIGURATIONS

Model	Flow rate	Volts	Current	Head	Wire lead	Outlet Dia.	N.W./G.W.
SFBP1-G600-11	600 GPH	12 V	2.5 A	2.5 m / 8.0'	1 m / 3.0'	19 mm/3/4"	0.55/0.6 kg
SFBP2-G600-11	600 GPH	24 V	1.5 A	2.5 m / 8.0'	1 m / 3.0'	19 mm/3/4"	0.55/0.6 kg
SFBP1-G750-11	750 GPH	12 V	3.0 A	3.0 m / 10.0'	1 m / 3.0'	19 mm/3/4"	0.55/0.6 kg
SFBP2-G750-11	750 GPH	24 V	1.6 A	3.0 m / 10.0'	1 m / 3.0'	19 mm/3/4"	0.55/0.6 kg
SFBP1-G1100-11	1100 GPH	12 V	3.0 A	4.0 m / 13.0'	1 m / 3.0'	29 mm/1-1/8"	0.55/0.6 kg
SFBP2-G1100-11	1100 GPH	24 V	1.8 A	4.0 m / 13.0'	1 m / 3.0'	29 mm/1-1/8"	0.55/0.6 kg

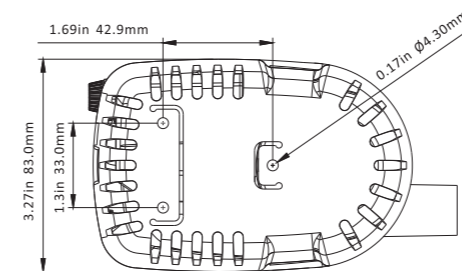
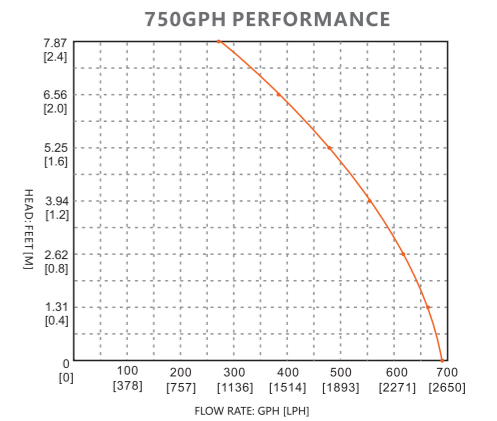
MECHANICAL AUTO BILGE PUMPS 600/750/1100 GPH

FEATURES & BENEFITS

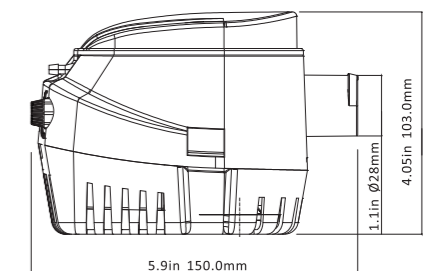
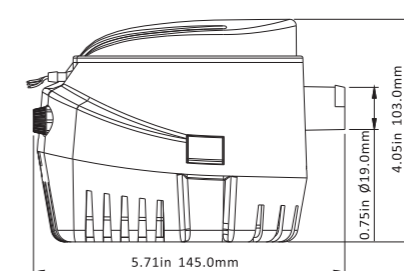
- All-in-one pump & switch-No float switch required
- Pump turns on when water level rises & shuts off when water is removed
- Will not pump oil-straight motor oil that enters the bilge will not turn the pump on
- Snap-off strainer for easy cleaning
- Anti-fouling impeller
- 18 AWG, 1 m long Leads

MOTOR

- Type**
Sealed, efficient, long life motor
- Temperature Limits**
110 °F (43 °C) Max.
- Duty Cycle**
Intermittent



600 GPH-750 GPH



1100 GPH

STANDARD PUMP CONFIGURATIONS

Model	Flow rate	Volts	Current	Head	Wire lead	Outlet Dia.	N.W./G.W.
SFBP1-G600-06	600 GPH	12 V	2.5 A	2.5 m / 8.0'	1 m / 3.0'	19 mm/3/4"	0.47/0.52 kg
SFBP2-G600-06	600 GPH	24 V	1.5 A	2.5 m / 8.0'	1 m / 3.0'	19 mm/3/4"	0.47/0.52 kg
SFBP1-G750-06	750 GPH	12 V	3.0 A	3.0 m / 10.0'	1 m / 3.0'	19 mm/3/4"	0.47/0.52 kg
SFBP2-G750-06	750 GPH	24 V	1.6 A	3.0 m / 10.0'	1 m / 3.0'	19 mm/3/4"	0.47/0.52 kg
SFBP1-G1100-06	1100 GPH	12 V	3.0 A	4.0 m / 13.0'	1 m / 3.0'	29 mm/1-1/8"	0.55/0.60 kg
SFBP2-G1100-06	1100 GPH	24 V	1.8 A	4.0 m / 13.0'	1 m / 3.0'	29 mm/1-1/8"	0.55/0.60 kg



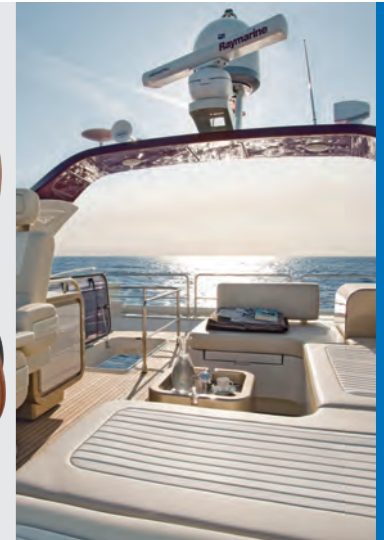
Color Box



Color Box



Blister



SHOWER SUMP PUMP SYSTEM 600/750 GPH

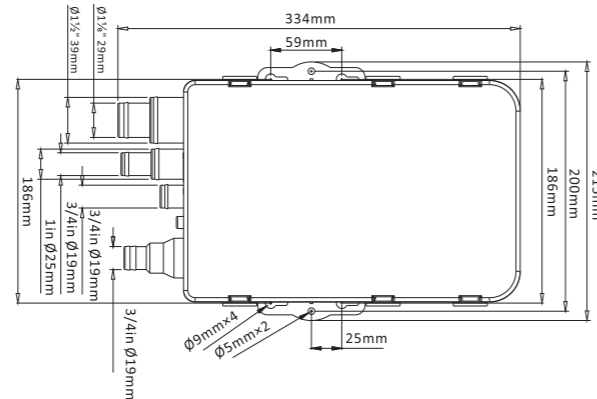
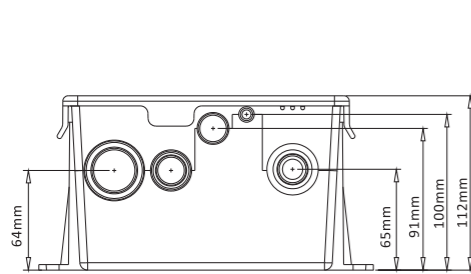
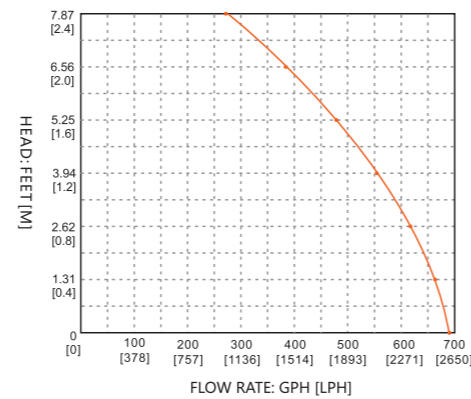
FEATURES & BENEFITS

- Removable mesh filter allows easy cleaning
- Clear screw-down cover
- Check valve on outlet
- Ignition protected
- Handles waste water from more than one tapping point
- Easy installation
- Multiple inlet ports for versatile usage
- 18 AWG, 1 m long Leads

MOTOR

- Type**
Sealed, efficient, long life motor
- Duty Cycle**
Intermittent

750 GPH PERFORMANCE



STANDARD PUMP CONFIGURATIONS

Model	Flow rate	Volts	Current	Head	Wire lead	Outlet Dia.	N.W./G.W.
SFBP1-G600-07	600 GPH	12 V	2.5 A	2.5 m / 8.0'	1 m / 3.0'	19 mm/3/4"	1.17/1.35 kg
SFBP2-G600-07	600 GPH	24 V	1.5 A	2.5 m / 8.0'	1 m / 3.0'	19 mm/3/4"	1.17/1.36 kg
SFBP1-G750-07	750 GPH	12 V	3.0 A	3.0 m / 10.0'	1 m / 3.0'	19 mm/3/4"	1.17/1.37 kg
SFBP2-G750-07	750 GPH	24 V	1.6 A	3.0 m / 10.0'	1 m / 3.0'	19 mm/3/4"	1.17/1.38 kg

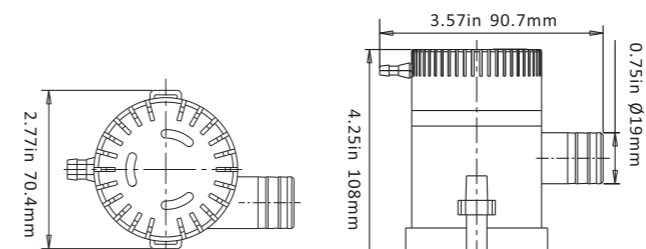
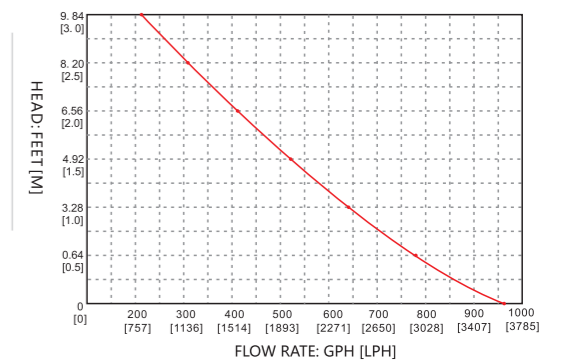
NON - AUTOMATIC BILGE PUMPS 01 SERIES 350/500/750/1100 GPH

FEATURES & BENEFITS

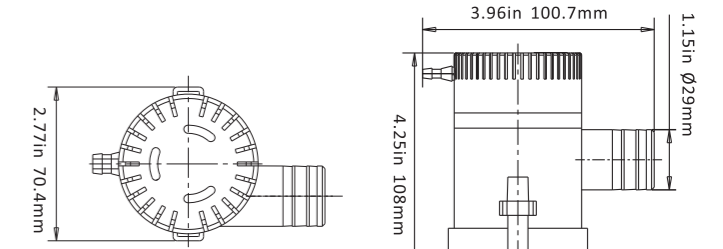
- CE, RoHS, ISO 8846, ISO 8849 standards
- Traditional operation by switch or float switch
- Entirely Submersible
- Run dry capable for workloads
- Quiet operation
- Stainless steel shaft

- Snap-off strainer base for easy maintenance
- Pump and switch are stand alone products
- Sealed efficient, long life motors
- Anti-Airlock protection
- Exclusive moisture tight seals
- Marine grade blocked wiring

1100 GPH PERFORMANCE



350 GPH-500 GPH-750 GPH



1100 GPH

STANDARD PUMP CONFIGURATIONS

Model	Flow rate	Volts	Current	Head	Wire lead	Outlet Dia.	N.W./G.W.
SFBP1-G350-01	350 GPH	12 V	1.0 A	3 m / 10'	1 m / 3'	19 mm/3/4"	0.33/0.40 kg
SFBP1-G500-01	500 GPH	12 V	1.6 A	3 m / 10'	1 m / 3'	19 mm/3/4"	0.33/0.40 kg
SFBP2-G500-01	500 GPH	24 V	1.2 A	3 m / 10'	1 m / 3'	19 mm/3/4"	0.33/0.40 kg
SFBP1-G750-01	750 GPH	12 V	2.5 A	3 m / 10'	1 m / 3'	19 mm/3/4"	0.33/0.40 kg
SFBP2-G750-01	750 GPH	24 V	1.2 A	3 m / 10'	1 m / 3'	19 mm/3/4"	0.33/0.40 kg
SFBP1-G1100-01	1100 GPH	12 V	3.0 A	4 m / 13'	1 m / 3'	29 mm/1-1/8"	0.38/0.44 kg
SFBP2-G1100-01	1100 GPH	24 V	1.8 A	4 m / 13'	1 m / 3'	29 mm/1-1/8"	0.38/0.44 kg



Color Box

Blister

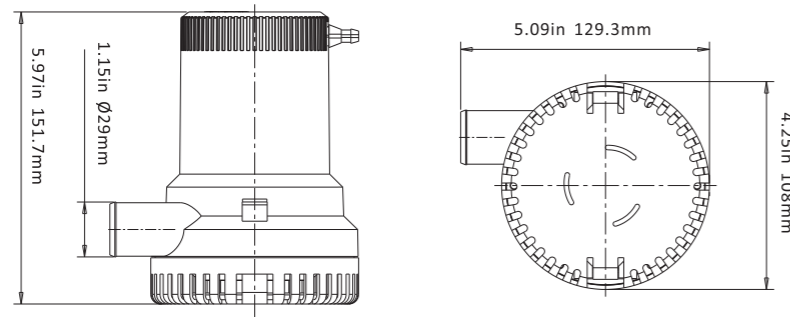
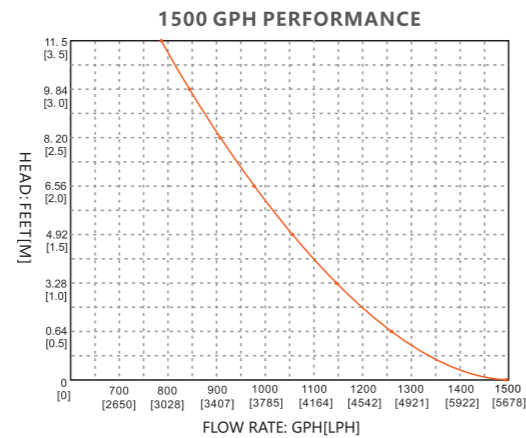
Color Box

Blister

NON - AUTOMATIC BILGE PUMPS 01 SERIES 1500/2000 GPH

FEATURES & BENEFITS

- CE, RoHS, ISO 8846, ISO 8849 standards
- Traditional operation by switch or float switch
- Entirely Submersible
- Run dry capable for workloads
- Quiet operation
- Stainless steel shaft
- Snap-off strainer base for easy maintenance
- Pump and switch are stand alone products
- Sealed efficient, long life motors
- Anti-Airlock protection
- Exclusive moisture tight seals
- Marine grade blocked wiring



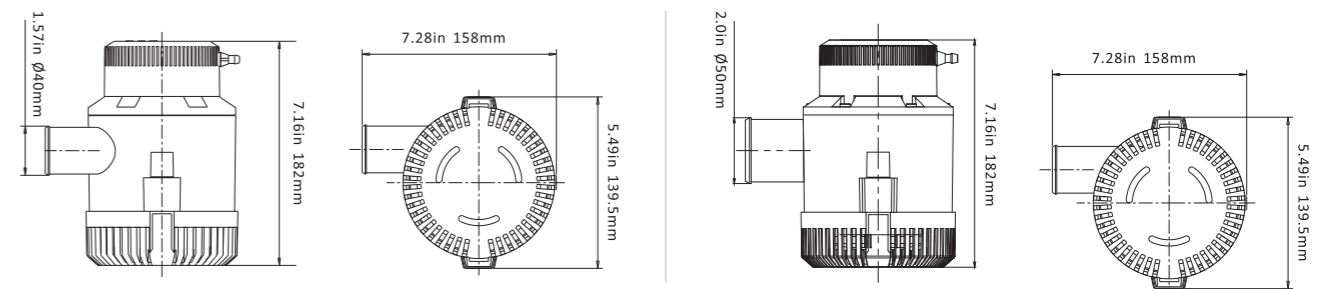
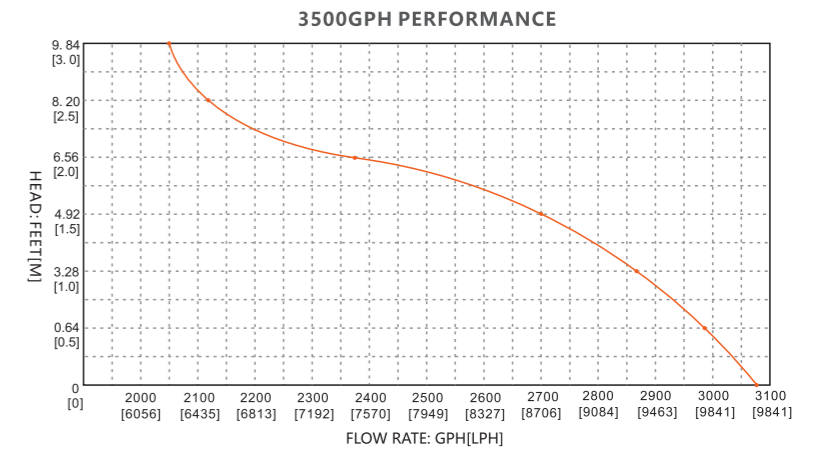
STANDARD PUMP CONFIGURATIONS

Model	Flow rate	Volts	Current	Head	Wire lead	Outlet Dia.	N.W./G.W.
SFBP1-G1500-01	1500GPH	12V	8.0A	5 m/16'	1 m/3'	29 mm/1-1/8"	1.13/1.21 kg
SFBP2-G1500-01	1500GPH	24V	4.0A	5 m/16'	1 m/3'	29 mm/1-1/8"	1.13/1.21 kg
SFBP1-G2000-01	2000GPH	12V	8.5A	6 m/19'	1 m/3'	29 mm/1-1/8"	1.13/1.21 kg
SFBP2-G2000-01	2000GPH	24V	5.0A	6 m/19'	1 m/3'	29 mm/1-1/8"	1.13/1.21 kg

NON - AUTOMATIC BILGE PUMPS 01 SERIES 3000/3500/3700/4700 GPH

FEATURES & BENEFITS

- CE, RoHS, ISO 8846, ISO 8849 standards
- Traditional operation by switch or float switch
- Entirely Submersible
- Run dry capable for workloads
- Quiet operation
- Stainless steel shaft
- Snap-off strainer base for easy maintenance
- Pump and switch are stand alone products
- Sealed efficient, long life motors
- Anti-Airlock protection
- Exclusive moisture tight seals
- Marine grade blocked wiring



STANDARD PUMP CONFIGURATIONS

Model	Flow rate	Volts	Current	Head	Wire lead	Outlet Dia.	N.W./G.W.
SFBP1-G3000-01	3000 GPH	12V	14.0A	8 m/26'	1 m/3'	40 mm/1-1/2"	2.10/2.37 kg
SFBP2-G3000-01	3000 GPH	24V	7.0A	8 m/26'	1 m/3'	40 mm/1-1/2"	2.10/2.37 kg
SFBP1-G3500-01	3500 GPH	12V	16.0A	8 m/26'	1 m/3'	40 mm/1-1/2"	2.10/2.37 kg
SFBP2-G3500-01	3500 GPH	24V	8.0A	8 m/26'	1 m/3'	40 mm/1-1/2"	2.10/2.37 kg
SFBP1-G3700-01	3700 GPH	12V	16.0A	8 m/26'	1 m/3'	40 mm/1-1/2"	2.10/2.37 kg
SFBP2-G3700-01	3700 GPH	24V	8.0A	8 m/26'	1 m/3'	40 mm/1-1/2"	2.10/2.37 kg
SFBP1-G4700-01	4700 GPH	12V	17.0A	8 m/26'	1 m/3'	50 mm/2"	2.10/2.37 kg
SFBP2-G4700-01	4700 GPH	24V	8.5A	8 m/26'	1 m/3'	50 mm/2"	2.10/2.37 kg



02 Series



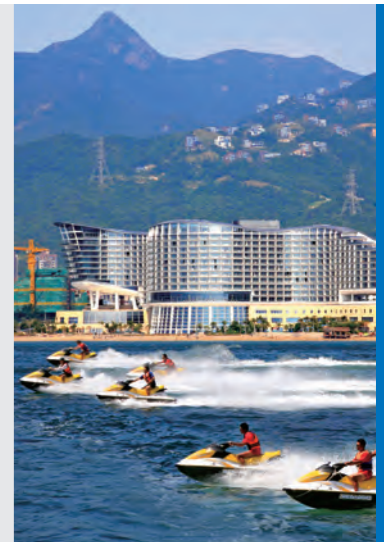
08 Series



Blister



Blister



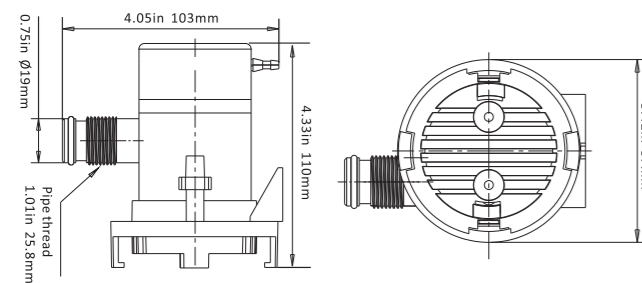
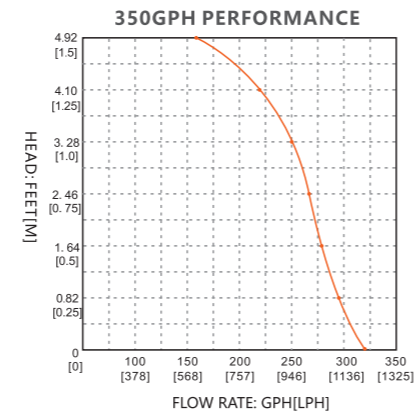
NON - AUTOMATIC BILGE PUMPS 02/08 SERIES 350/600 GPH

FEATURES & BENEFITS

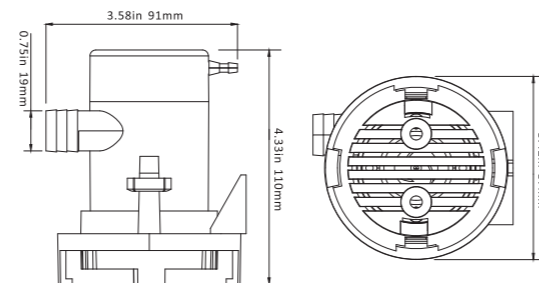
- Pump and switch are stand alone products
- Compact, efficient, long life motors
- Size: 350, 600 gph in 12 volt version
- Easy clean snap-lock strainer bases
- Completely submersible
- Marine grade blocked wiring
- Quiet and vibrationless operation
- 18 AWG, 1 m long leads

MOTOR

- Type**
Compact, efficient, long life motor
- Temperature Limits**
110 °F (43 °C) Max.
- Duty Cycle**
Intermittent
- Voltage**
12 V / 24 V



02 Series



08 Series

STANDARD PUMP CONFIGURATIONS

Model	Flow rate	Volts	Current	Head	Wire lead	Outlet Dia.	N.W./G.W.
SFBP1-G350-02	350 GPH	12 V	1.0 A	3 m / 10'	1 m / 3'	19 mm / 3/4"	0.33 / 0.40 kg
SFBP1-G600-02	600 GPH	12 V	3.0 A	3.5 m / 11.5'	1 m / 3'	19 mm / 3/4"	0.33 / 0.40 kg
SFBP1-G350-08	350 GPH	12 V	1.0 A	3 m / 10'	1 m / 3'	19 mm / 3/4"	0.22 / 0.28 kg
SFBP1-G600-08	600 GPH	12 V	3.0 A	3.5 m / 11.5'	1 m / 3'	19 mm / 3/4"	0.22 / 0.28 kg

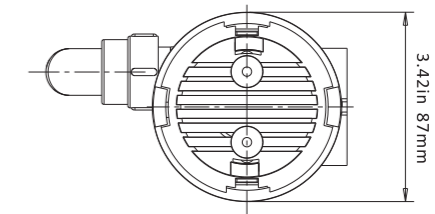
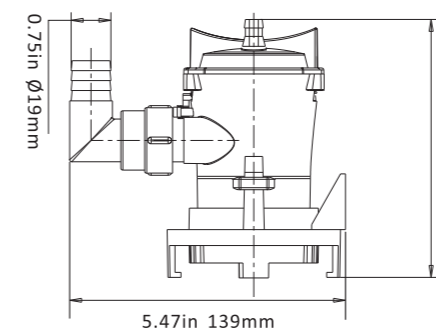
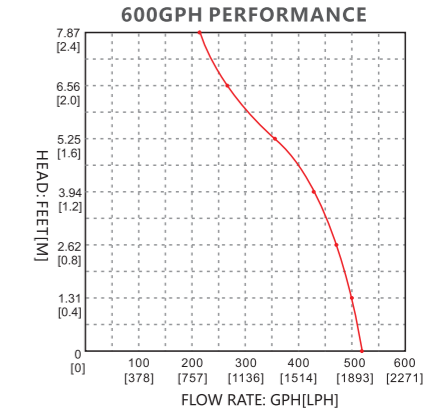
NON - AUTOMATIC BILGE PUMPS 03 SERIES 350/600/800 GPH

FEATURES & BENEFITS

- Pump and switch are stand alone products
- Compact, efficient, long life motors
- Size: 350, 600, 800 gph in 12 volt version
- Easy clean snap-lock strainer bases
- Completely submersible
- Marine grade blocked wiring
- Quiet and vibrationless operation
- 18 AWG, 1 m long leads

MOTOR

- Type**
Compact, efficient, long life motor
- Temperature Limits**
110 °F (43 °C) Max.
- Duty Cycle**
Intermittent
- Voltage**
12 V / 24 V



STANDARD PUMP CONFIGURATIONS

Model	Flow rate	Volts	Current	Head	Wire lead	Outlet Dia.	N.W./G.W.
SFBP1-G350-03	350 GPH	12 V	1.0 A	3.0 m / 10'	1 m / 3'	19 mm / 3/4"	0.37 / 0.46 kg
SFBP1-G600-03	600 GPH	12 V	3.0 A	3.5 m / 11.5'	1 m / 3'	19 mm / 3/4"	0.37 / 0.46 kg
SFBP1-G800-03	800 GPH	12 V	4.0 A	4.0 m / 13'	1 m / 3'	19 mm / 3/4"	0.37 / 0.46 kg



Blister



Blister



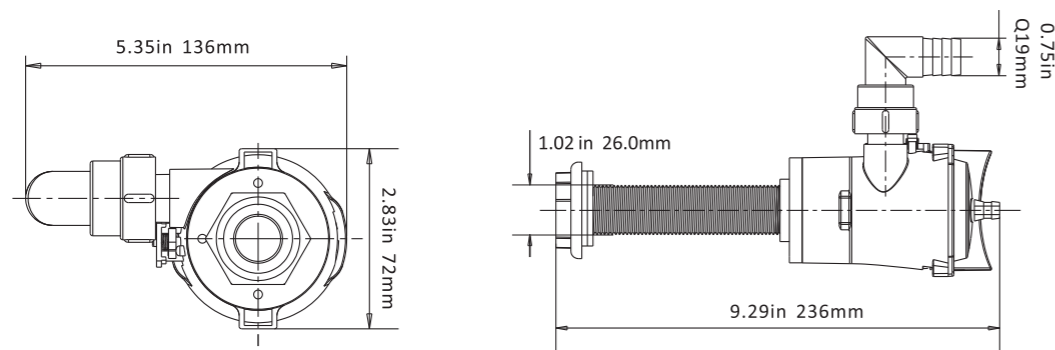
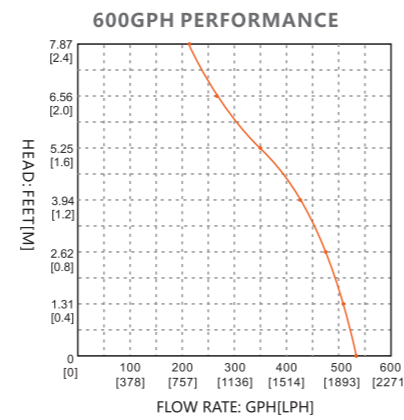
LIVEWELL/BAITWELL PUMPS 04 SERIES 350/600/800 GPH

FEATURES & BENEFITS

- Robust, easy click-in, replaceable motor
- Built-in through-hull
- Water cooled motor housing
- Flow: 350, 600 & 800 gph in 12 volt version
- Marine grade blocked wiring
- Stainless steel shaft
- Quiet and vibrationless operation
- 18 AWG, 1 m long Leads

MOTOR

- Type**
Cartridge-Style, easy replace, long life motor
- Temperature Limits**
110 °F (43 °C) Max.
- Duty Cycle**
Intermittent
- Voltage**
12 v



STANDARD PUMP CONFIGURATIONS

Model	Flow rate	Volts	Current	Head	Wire lead	Outlet Dia.	N.W./G.W.
SFBP1-G350-04	350 GPH	12V	1.0 A	3.0 m / 10'	1 m / 3'	19 mm / 3/4"	0.4/0.5 kg
SFBP1-G600-04	600 GPH	12V	3.0 A	3.5 m / 11.5'	1 m / 3'	19 mm / 3/4"	0.4/0.5 kg
SFBP1-G800-04	800 GPH	12V	4.0 A	4.0 m / 13'	1 m / 3'	19 mm / 3/4"	0.4/0.5 kg

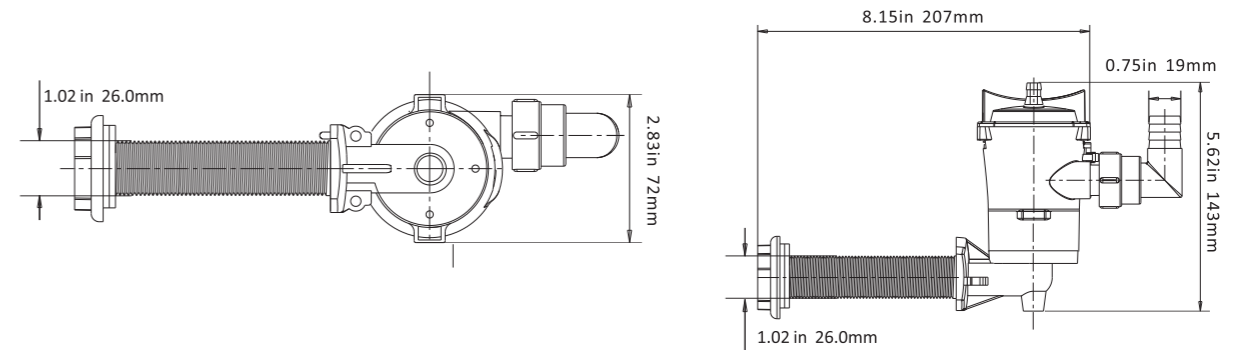
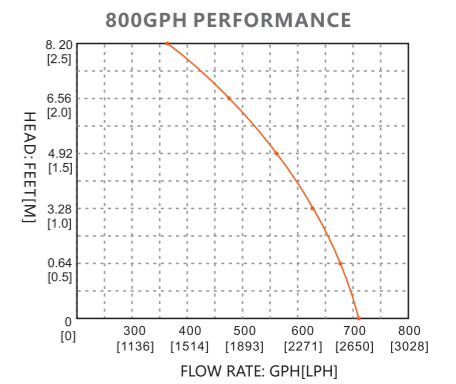
LIVEWELL/BAITWELL PUMPS 05 SERIES 350/600/800 GPH

FEATURES & BENEFITS

- Robust, easy click-in, replaceable motor
- Built-in through-hull
- Water cooled motor housing
- Flow: 350, 600 & 800 gph in 12 volt version
- Marine grade blocked wiring
- Stainless steel shaft
- Quiet and vibrationless operation
- 18 AWG, 1 m long Leads

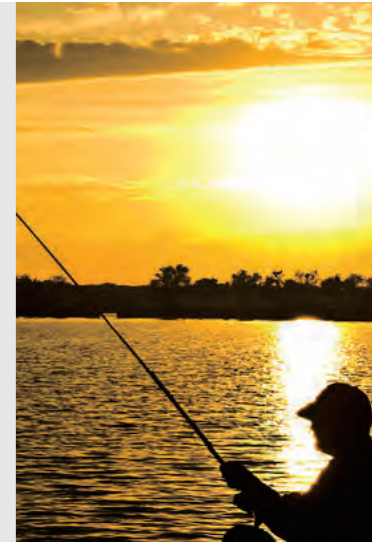
MOTOR

- Type**
Cartridge-Style, easy replace, long life motor
- Temperature Limits**
110 °F (43 °C) Max.
- Duty Cycle**
Intermittent
- Voltage**
12 v



STANDARD PUMP CONFIGURATIONS

Model	Flow rate	Volts	Current	Head	Wire lead	Outlet Dia.	N.W./G.W.
SFBP1-G350-05	350 GPH	12V	1.0 A	3.0 m / 10'	1 m / 3'	19 mm / 3/4"	0.42/0.58 kg
SFBP1-G600-05	600 GPH	12V	3.0 A	3.5 m / 11.5'	1 m / 3'	19 mm / 3/4"	0.42/0.58 kg
SFBP1-G800-05	800 GPH	12V	4.0 A	4.0 m / 13'	1 m / 3'	19 mm / 3/4"	0.42/0.58 kg



PORTABLE AERATOR KIT 350 GPH

FEATURES & BENEFITS

- Aerates from 5 to 30 gallons (19 to 113 liters) of water.
- The SEAFLO 350 GPH (1325 LPH) pump attaches easily to any non-porous surface.
- 9.4" (240 mm) long spray tube can be custom cut to fit into any container.
- A fully adjustable spray head increases or reduces flow of water.
- Foam filtration system keeps water sparkling clean.
- The kit also includes battery clips for easy attachment to your 12 volt power source.
- 18 AWG, 1 m long Leads

MOTOR

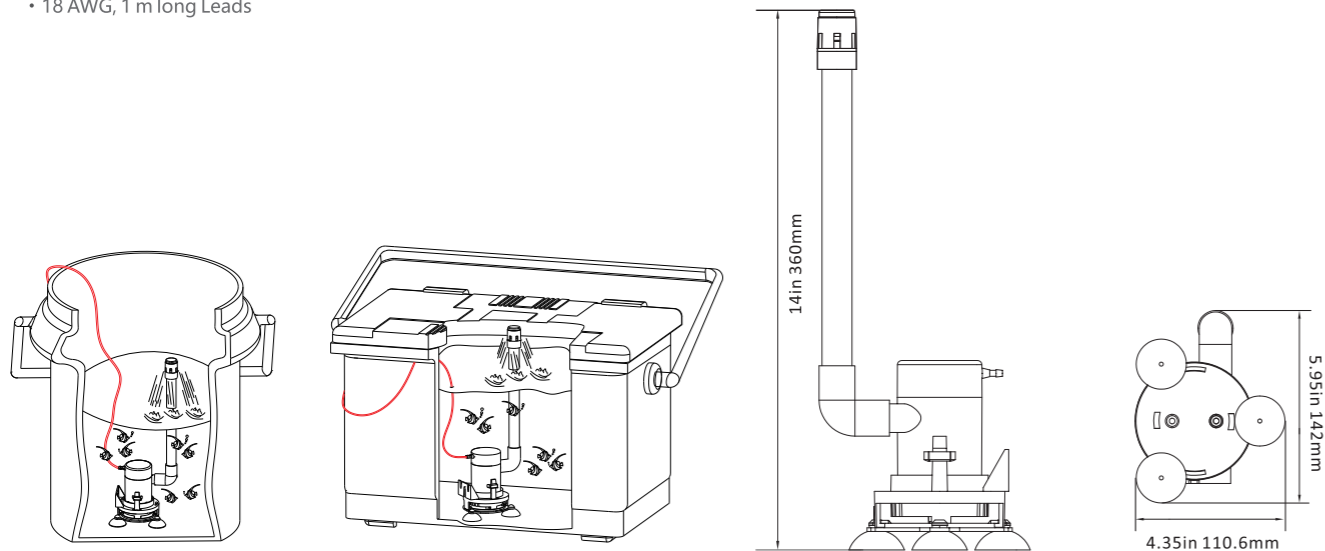
Type
Compact, efficient, long life motor

Temperature Limits
110 °F (43 °C) Max.

Duty Cycle
Intermittent

Voltage
12 V

Standard Accessories



STANDARD PUMP CONFIGURATIONS

Model	Flow rate	Volts	Current	Head	Wire lead	Outlet Dia.	N.W./G.W.
SFBP1-G350-09	350 GPH	12 V	1.0 A	3 m / 10'	1 m / 3'	19 mm / 3/4"	0.32 / 0.42 kg

PORTABLE AERATOR KIT 350 GPH

FEATURES & BENEFITS

- Aerates from 5 to 30 gallons (19 to 113 liters) of water.
- The SEAFLO 350 GPH (1325 LPH) pump attaches easily to any non-porous surface.
- 6.3" (160 mm) long spray tube, 13.8" (350 mm) hosepipe can be custom cut to fit into any container.
- A fully adjustable spray head increases or reduces flow of water.
- Foam filtration system keeps water sparkling clean.
- The kit also includes battery clips for easy attachment to your 12 volt power source.
- 18 AWG, 1 m long Leads

MOTOR

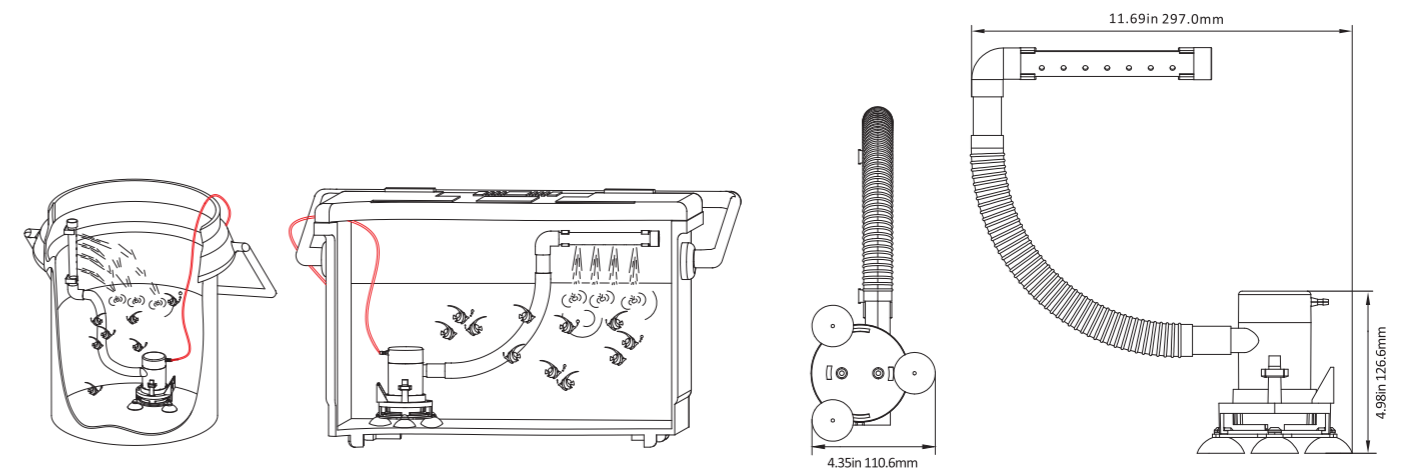
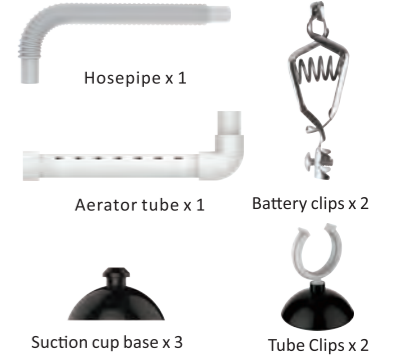
Type
Compact, efficient, long life motor

Temperature Limits
110 °F (43 °C) Max.

Duty Cycle
Intermittent

Voltage
12 V

Standard Accessories



STANDARD PUMP CONFIGURATIONS

Model	Flow rate	Volts	Current	Head	Wire lead	Outlet Dia.	N.W./G.W.
SFBP1-G350-10	350 GPH	12 V	1.0 A	3 m / 10'	1 m / 3'	19 mm / 3/4"	0.32 / 0.42 kg



Blister



PE Bag



LIVE BAIT AIR PUMP

FEATURES & BENEFITS

- Quite DC motor suitable for night fishing
- Adjustable stainless steel clip for live bait bucket
- Unbreakable air-stone & flexible air-hose included
- Impact-resistant and water-resistant ABS case
- Diaphragm type motor smooth airing system
- Built-in rechargeable lithium battery, cycle life up to 500 times
- Less than 100 ma, more the 24 hours oxygen supply after full charge

Application

Keeping fishes alive when fishing outdoors, or for use in case of aquarium electricity power failure

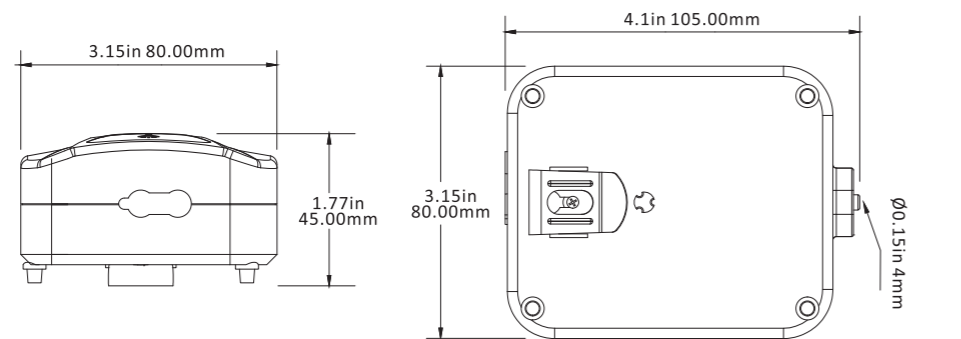
MOTOR

Wire length

1.3 m

Voltage

5 V



Standard Accessories



Air stone x 1



Silica gel Feet x 4



USB-DC x 1



Air Hose x 1

STANDARD PUMP CONFIGURATIONS

Model	Voltage	Max Amp Draw	Displacement	Air Pressure	Intake	Max pressure	Hose	Wire
SFAP1-005-015-01	5 V	100 ma	2 LPM	0.015 MPa	5 mm	0.5 MPa	4 mm	USB-DC

LOW VOLTAGE SUBMERSIBLE PUMP 12/16 LPM

FEATURES & BENEFITS

- Pumps up to 18 vertical feet
- 1/2" Outlet
- Ideal for backup battery sump
- Quiet and vibrationless operation
- Completely submersible
- 18 AWG, 1 m long Leads

PUMP

Priming Capabilities

Flooded suction

Power

2.8 amps max current draw

Flow

3.2 & 5.0 GPM Models Available

MOTOR

Type

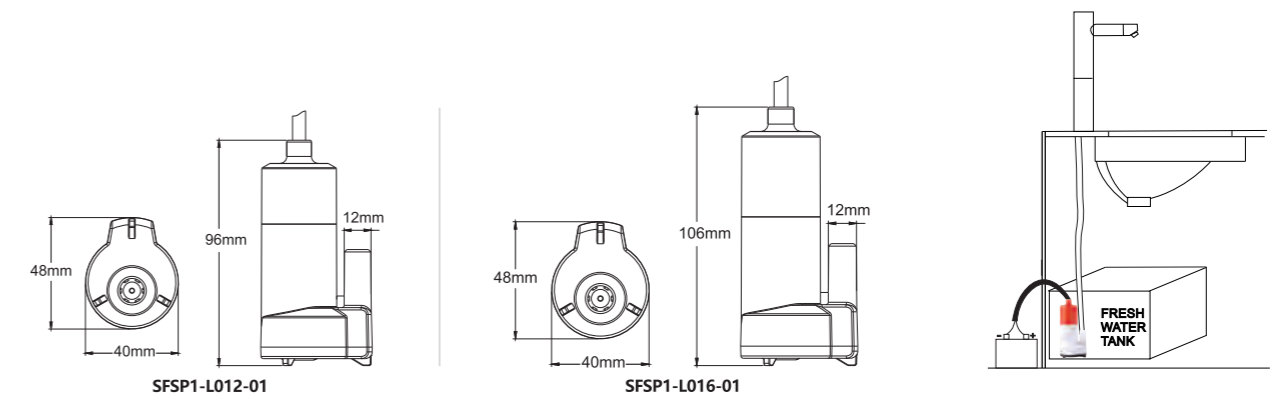
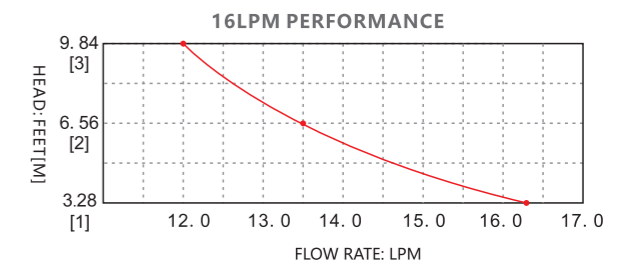
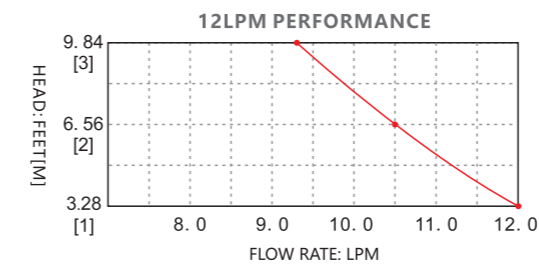
Compact, efficient, long life motor

Temperature Limits

110 °F (43 °C) Max.

Duty Cycle

Intermittent (30 minutes)



STANDARD PUMP CONFIGURATIONS

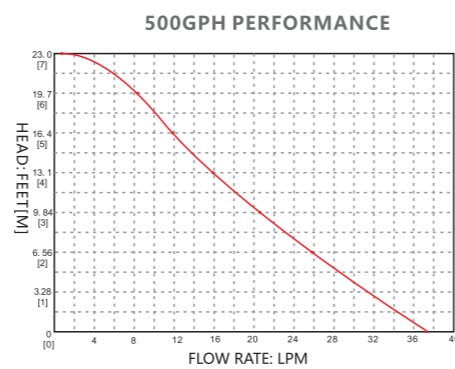
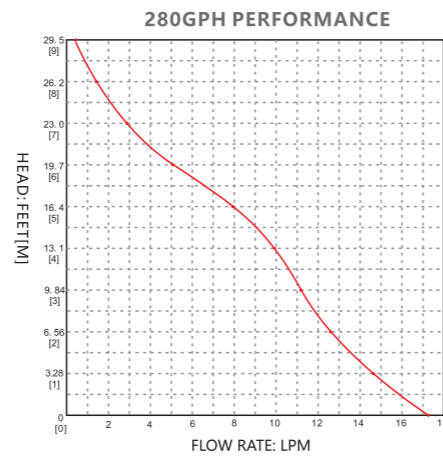
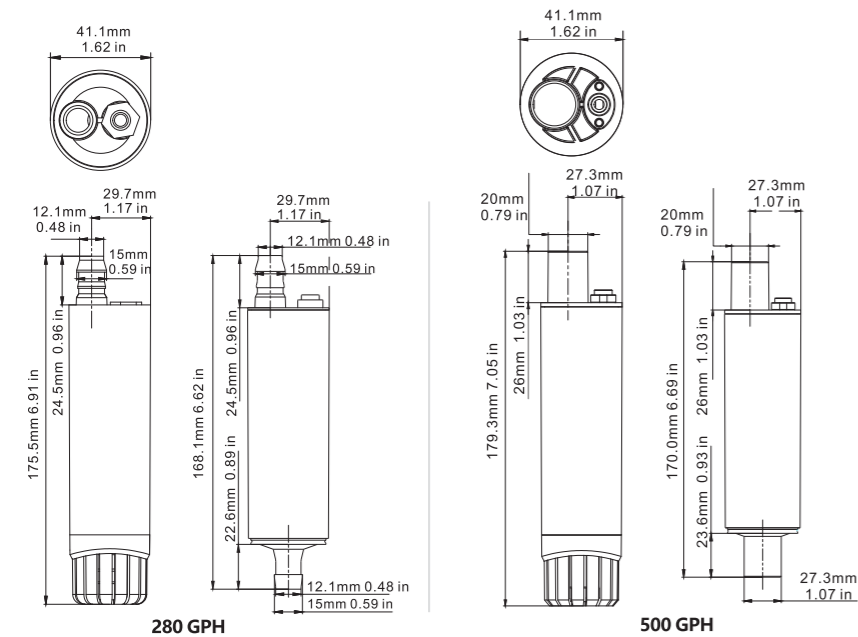
Model	Voltage	Max Amps	Flow rate	Bar	Head	Wire Lead	Outlet Dia.	N.W./G.W.
SFSP1-L012-01	12 V	2.0 A	12 LPM	0.6 bar	6 m / 19.7'	1 m / 3'	12 mm / 1/2"	0.16 / 0.18 kg
SFSP1-L016-01	12 V	4.0 A	16 LPM	0.6 bar	6 m / 19.7'	1 m / 3'	12 mm / 1/2"	0.24 / 0.26 kg



SUBMERSIBLE AND LINE PUMP 280/500 GPH

FEATURES & BENEFITS

- Able to pump 40 °C diesel , 80 °C sea water
- Able to run about 20 minutes
- Portable to carry on
- Easy installation
- Intermittent duty
- "A" refers to 5m leads with clip, "B" refers to 1m leads



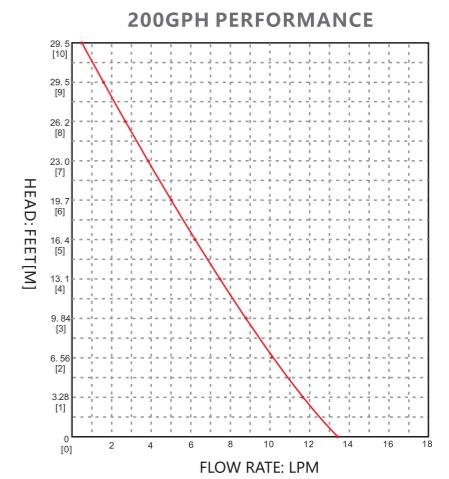
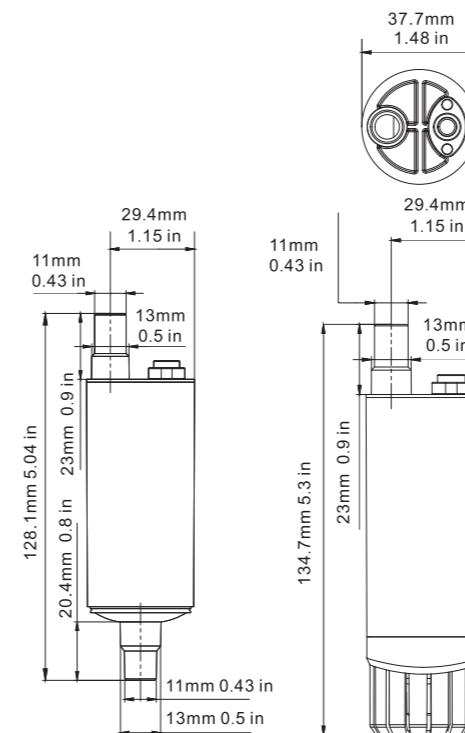
STANDARD PUMP CONFIGURATIONS

Model	Flow Rate	Voltage	Max Draw	Fuse Amps	Head	Wire Lead	Outlet Dia.
SFSP1-G280-02A	280 GPH	12 V	4.5 A	7.5 A	10 m/32'	5 m/16'	1/2"
SFSP1-G280-02B	280 GPH	12 V	4.5 A	7.5 A	10 m/32'	1 m/3'	1/2"
SFSP1-G500-02A	500 GPH	12 V	4.5 A	7.5 A	10 m/32'	5 m/16'	3/4"
SFSP1-G500-02B	500 GPH	12 V	4.5 A	7.5 A	10 m/32'	1 m/3'	3/4"

SUBMERSIBLE AND LINE PUMP 200 GPH

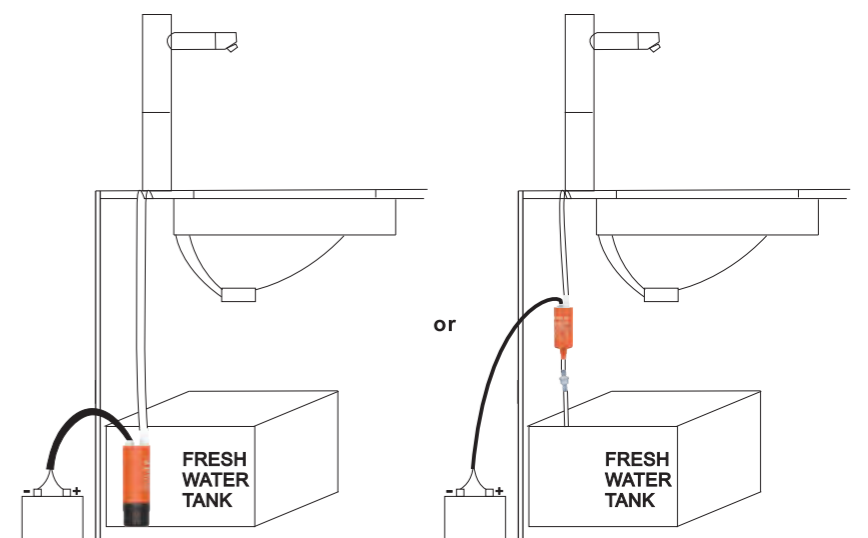
FEATURES & BENEFITS

- Able to pump 80 °C sea water
- Able to run about 20 minutes
- Portable to carry on
- Easy installation
- Intermittent duty



STANDARD PUMP CONFIGURATIONS

Model	Flow Rate	Voltage	Max Draw	Fuse Amps	Head	Wire Lead	Outlet Dia.
SFSP1-G200-03B	200 GPH	12 V	4.5 A	7.5 A	10 m/32'	1 m/3'	3/8" / 1/2"



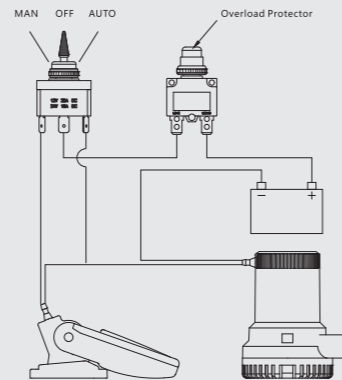
2/3-WAY SWITCH PANEL

FEATURES & BENEFITS

- Black aluminum panel
- Control any pump equipped with a float switch
- Prevent impact of intermittent high current
- Toggle of SFSP-01 has three positions (automatic, off, or manual)
- Toggle of SFSP-02 has "on" and "off" providing fingertip control



Blister



3-WAY SWITCH PANEL

FEATURES & BENEFITS

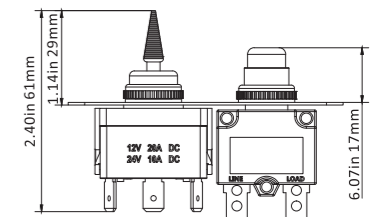
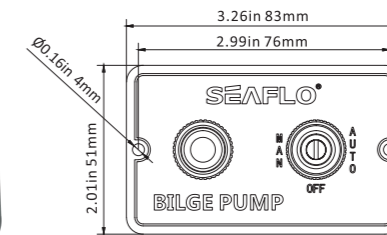
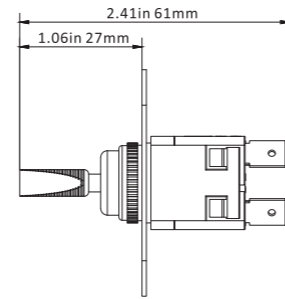
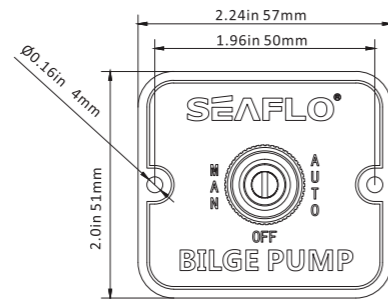
- LED indicator when switch is on
- Control any pump equipped with a float switch
- Prevent impact of intermittent high current
- Toggle has three positions (automatic, off, or manual)
- SFSP-015-01 is black aluminum panel
- SFSP-015-02 is black plastic panel



Blister



Blister

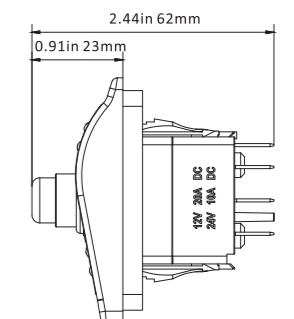
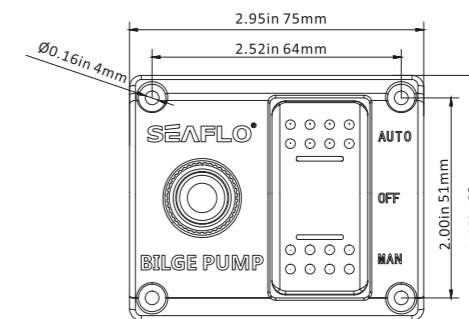
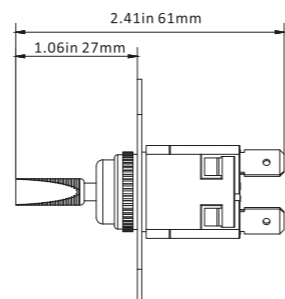
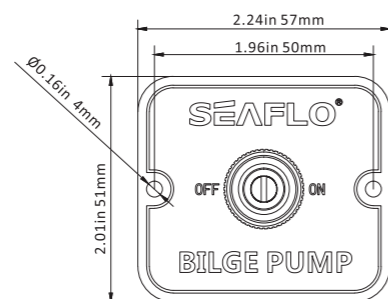


STANDARD PUMP CONFIGURATIONS

Model	Volts	Led Light	Panel Material	Position	N.W.	Dimension
SFSP-01	12 V & 24 V	Yes	Aluminum	MAN-OFF-AUTO	45 g	57 mm*51 mm

STANDARD PUMP CONFIGURATIONS

Model	Volts	Fuel	Led Light	Panel Material	Position	N.W.	Dimension
SFSP-015-01	12 V & 24 V	15 A	Yes	Aluminum	MAN-OFF-AUTO	60 g	83 mm*51 mm

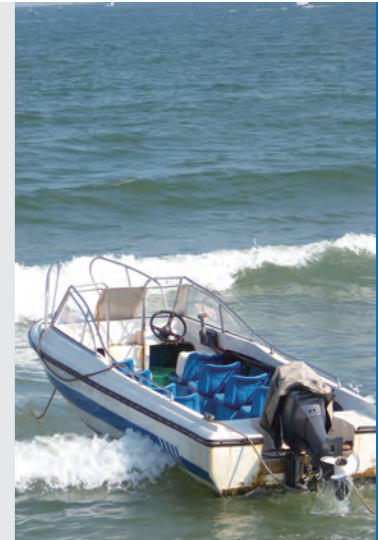


STANDARD PUMP CONFIGURATIONS

Model	Volts	Led Light	Panel Material	Position	N.W.	Dimension
SFSP-02	12 V & 24 V	Yes	Aluminum	OFF-ON	45 g	57 mm*51 mm

STANDARD PUMP CONFIGURATIONS

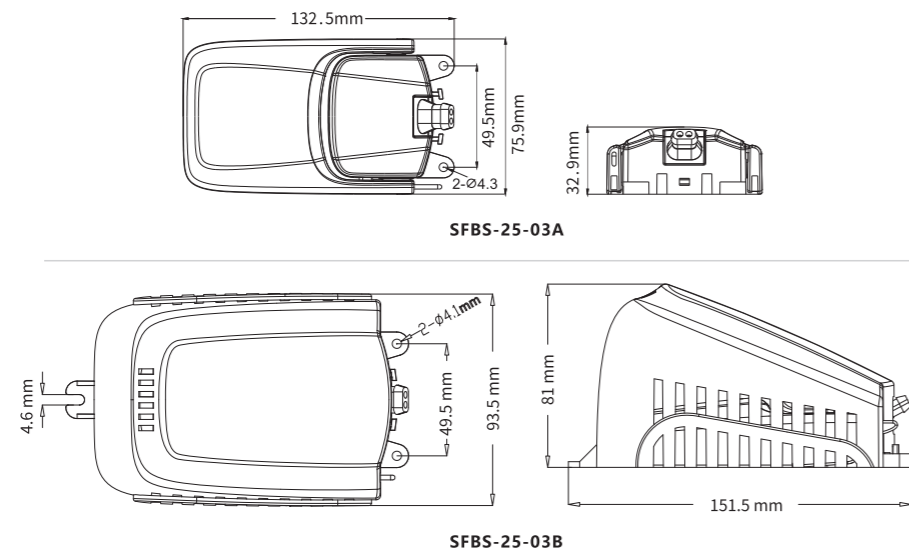
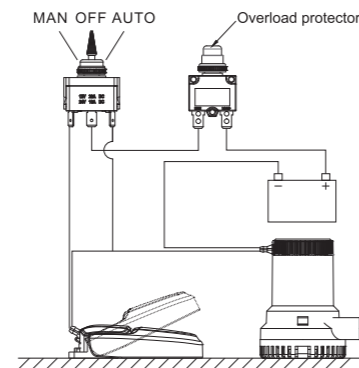
Model	Volts	Fuel	Led Light	Panel Material	Position	N.W.	Dimension
SFSP-015-02	12 V & 24 V	15 A	Yes	Plastic	MAN-OFF-AUTO	62 g	75 mm*63 mm



FLOAT SWITCH 03 SERIES 25A

FEATURES & BENEFITS

- Larger float and drive structure for better stability
- Amp draws up to 25 A
- Idea flow sensor for bilge pump
- Mercury free
- Compact design, easy installation
- With Filter housing to prevent from debris for the B
- Turn on when water level higher than 45-55 mm(1.77"-1.97")
- Turn off when water level lower than 20-25 mm(0.79"-0.98")



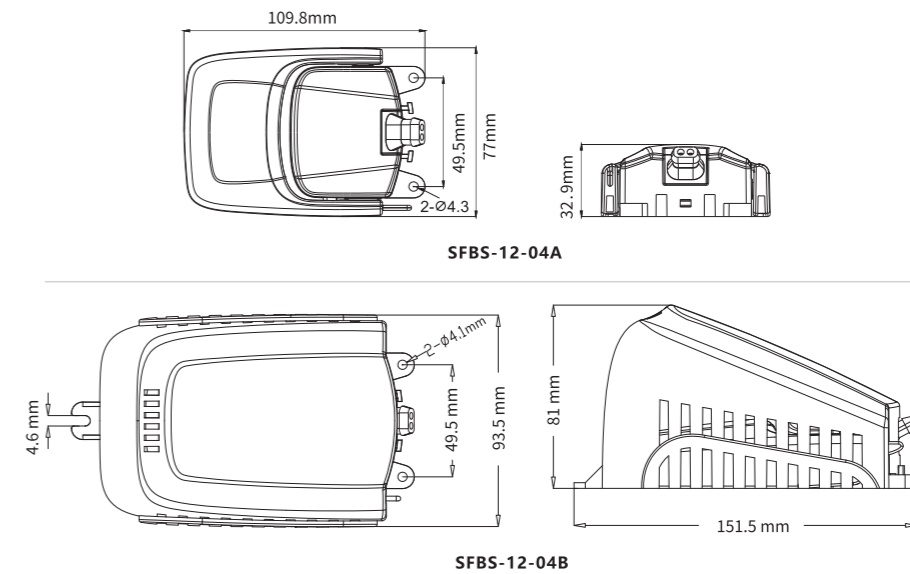
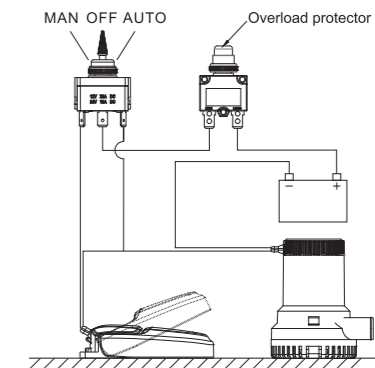
STANDARD PUMP CONFIGURATIONS

Model	Max Amps	Wire Gauge Size	Wire Lead	N.W.	Filter Housing
SFBS-25-03A	25 A	14 AWG	1 m	120 g	NO
SFBS-25-03B	25 A	14 AWG	1 m	190 g	YES

FLOAT SWITCH 04 SERIES 12A

FEATURES & BENEFITS

- Larger float and drive structure for better stability
- Amp draws up to 12 A
- Idea flow sensor for bilge pump
- Mercury free
- Compact design, easy installation
- With Filter housing to prevent from debris for the B
- Turn on when water level higher than 45-55 mm(1.77"-1.97")
- Turn off when water level lower than 20-25 mm(0.79"-0.98")



STANDARD PUMP CONFIGURATIONS

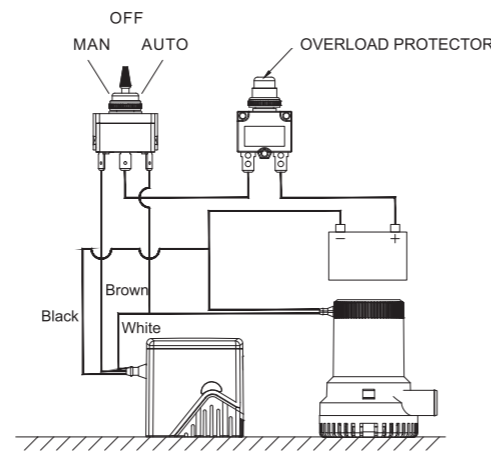
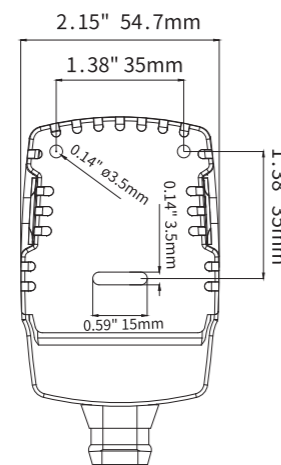
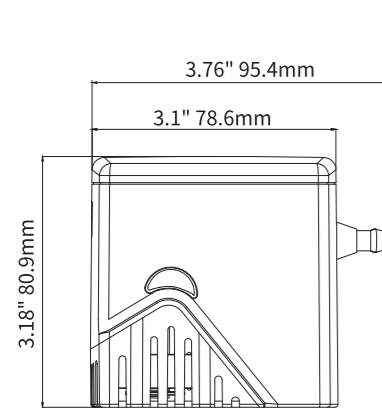
Model	Max Amps	Wire Gauge Size	Wire Lead	N.W.	Filter Housing
SFBS-12-04A	12 A	16 AWG	1 m	105 g	NO
SFBS-12-04B	12 A	16 AWG	1 m	175 g	YES



ELECTROMAGNETIC FLOAT SWITCH 05 SERIES 25A

FEATURES & BENEFITS

- Innovative Electromagnetic Design
- Enclosed Construction Offers Advanced Reliability
- Quick Attach Base Offers Simple Maintenance
- Works with Any Manual Bilge Pump
- Designed for Pumps Up To 25 Amps
- Mercury Free



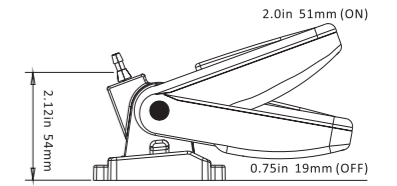
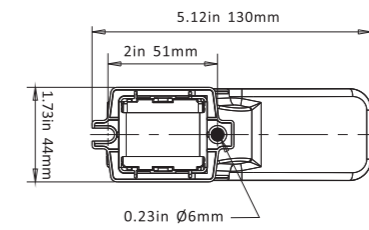
STANDARD PUMP CONFIGURATIONS

Model	Max Amps	Wire Gauge Size	Wire Lead	N.W.
SFBS-25-05	25 A	16 AWG	1 m	200 g

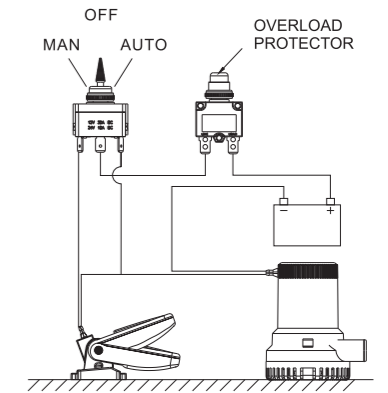
FLOAT SWITCH 01 SERIES 20A

FEATURES & BENEFITS

- Ideal flow sensor for bilge pumps
- 20A Max.
- Heavy duty flow switch is designed for the toughest applications
- Turns pump on when water level reaches 2.0" (51 mm)



Blister



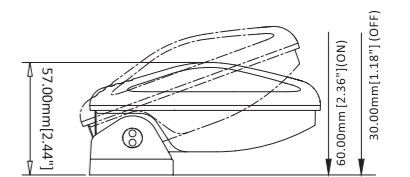
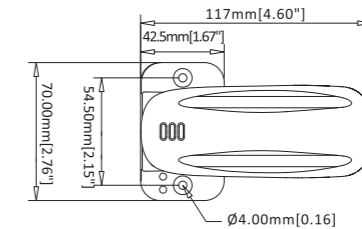
STANDARD PUMP CONFIGURATIONS

Model	Max Amps 12volts	Max Amps 24volts	Wire Lead	Wire Gauge Size	N.W.
SFBS-20-01	20 A	10 A	1 m	18 AWG	160 g

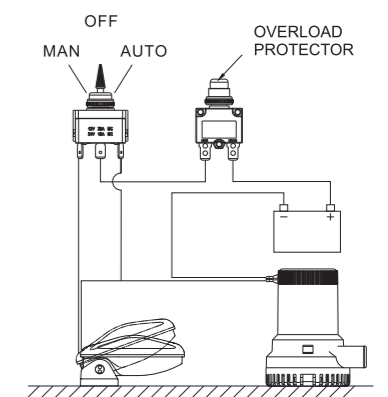
FLOAT SWITCH 02 SERIES 18A

FEATURES & BENEFITS

- Ideal flow sensor for bilge pumps
- 18A Max.
- Unique internal steel bearing activation
- Turns pump on when water level reaches 2.3" (60 mm)



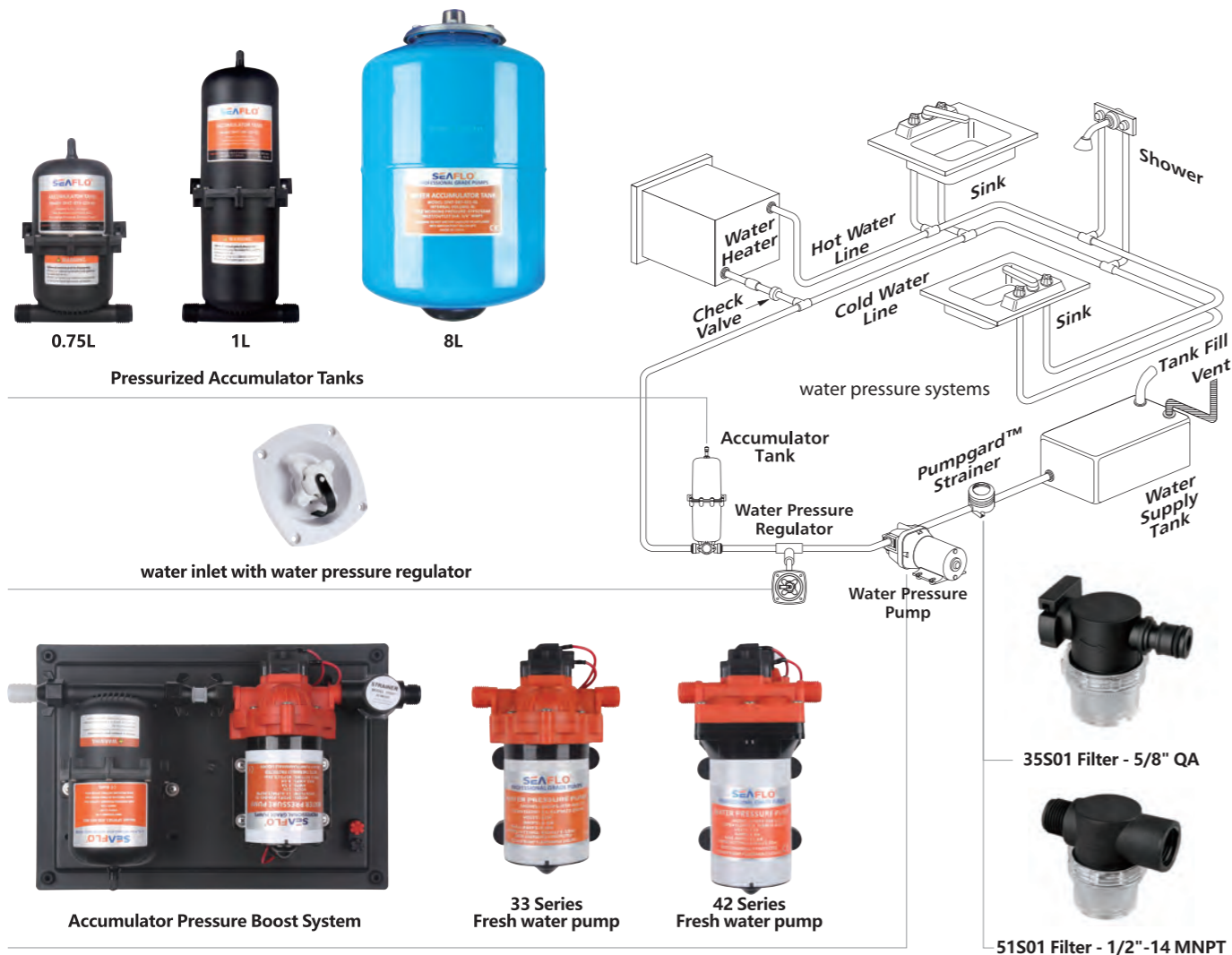
Blister



STANDARD PUMP CONFIGURATIONS

Model	Max Amps 12volts	Max Amps 24volts	Wire Lead	Wire Gauge Size	N.W.
SFBS-18-02	18 A	8 A	1 m	16 AWG	140 g

WATER PRESSURE SYSTEMS



SEAFLO is a leading manufacturer of plumbing products for Marine, RV, Agricultural, Industrial, Construction and OEM Applications. Our Fresh Water Pumps are of uncompromised quality, with proven reliability, and a vast variety of options. Our Diaphragm Pumps are available in DC and AC currents, in flows from 0.7 GPM up to 7.0 GPM which can serve 2 to 5 3/8" (10 mm) or 1/2" (13 mm) outlets. This automatic demand water system pump has a built-in pressure switch, which automatically starts and stops when the faucet is opened and closed. Our tough design provides performance that you can rely on for years. Quality fresh water pumps you can trust with and 2 year warranty.

Features & Benefits

- Positive displacement pump
- 2 year warranty
- Capable of supplying 2-5 fixtures
- Internal bypass technology reduces cycling (22/42/43/51 series)
- Can run dry
- Quiet operation
- Demand pump
- Low amp draw
- Open flow from 1.0 gpm/3.8lpm to 7.0 gpm/26.5 lpm
- Pressure from 17 psi/1.2 bar to 70 psi/4.8 bar
- Self priming up to 6 feet/1.8 m
- Industry standard mount pattern
- Completely rubber & iron mounting-base
- Adjustable pressure switch
- Easy connect fittings and strainers
- Marine grade blocked wiring



FRESH WATER PUMP 21 SERIES

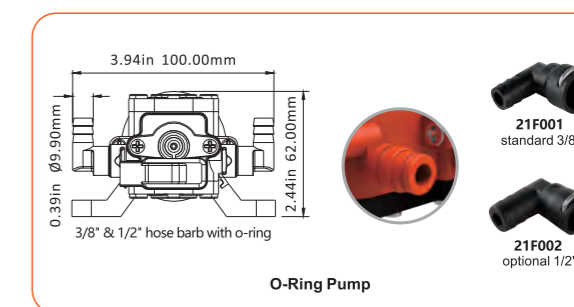
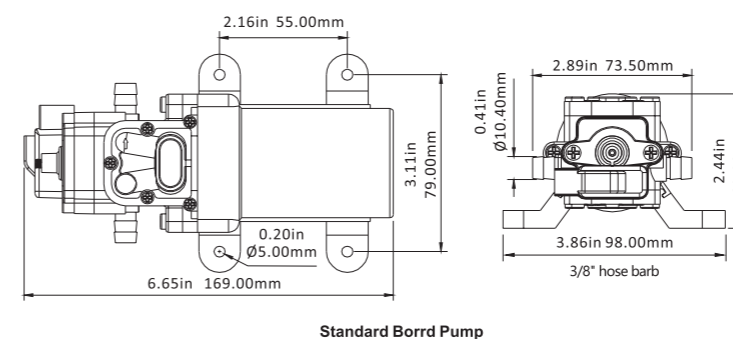
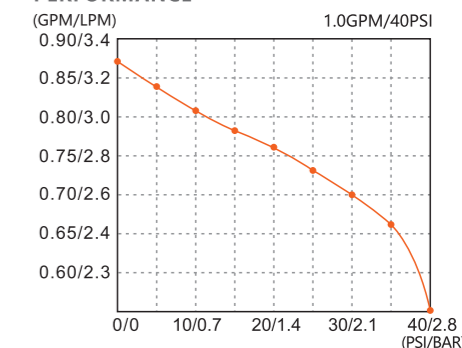
FEATURES & BENEFITS

- Capable of supplying 1-2 fixtures
- Compact design
- On-demand pressure switch
- Adjustable pressure setting
- Can run dry
- Quiet operation
- Industry standard mounting pattern
- 18 AWG, 13" (33 cm) long Leads

PUMP

- Max Recommended Temperature: 110 °F (43 °C) Max.
- Priming Capabilities: 4 feet (1.2 m) suction lift
- Inlet/Outlet Ports: 3/8" hose barb (Custom O-Ring Outlets available)
- Weight: 1.25 lbs (0.57 kg)

PERFORMANCE

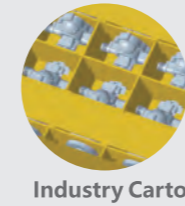


STANDARD PUMP CONFIGURATIONS (Inquire about other configurations, or valve and diaphragm materials)

Model	Voltage	GPM/LPM	Control Type	Amps	PSI/BAR	Valves	Diaphragm	Ports
SFDP1-010-040-21	12 V	1.0/3.8	Switch	4.0 MAX	40/2.8	EPDM	Santoprene	3/8" Barb (or Custom O-Ring)
SFDP2-010-040-21	24 V	1.0/3.8	Switch	2.0 MAX	40/2.8	EPDM	Santoprene	3/8" Barb (or Custom O-Ring)
SFDP1-011-070-21	12V	1.1/4.0	Switch	4.0 MAX	70/4.8	EPDM	Santoprene	3/8" Barb (or Custom O-Ring)
SFDP1-012-035-21	12 V	1.2/4.3	Switch	4.0 MAX	35/2.4	EPDM	Santoprene	3/8" Barb (or Custom O-Ring)
SFDP2-012-035-21	24V	1.2/4.3	Switch	2.0 MAX	35/2.4	EPDM	Santoprene	3/8" Barb (or Custom O-Ring)



Color Box



Color Box



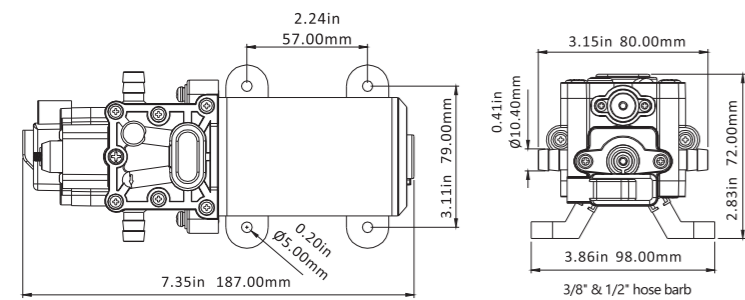
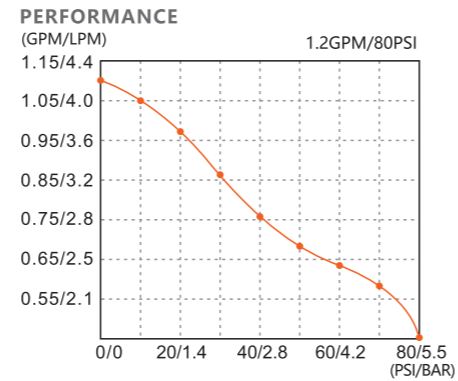
FRESH WATER PUMP 22 SERIES

FEATURES & BENEFITS

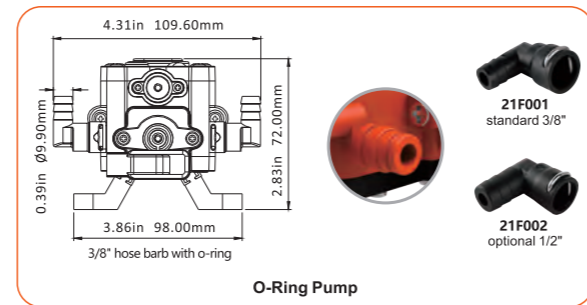
- Continuous Duty
- Capable of supplying 1-2 fixtures
- By-pass technology reduces cycling
- On-demand pressure switch
- Adjustable pressure setting
- Capable of up to 100 PSI
- Can run dry
- Quiet operation
- 18 AWG, 9.5" (24 cm) long Leads

PUMP

- Max Recommended Temperature**
110 °F (43 °C) Max.
- Priming Capabilities**
6 feet (1.8 m) suction lift
- Inlet/Outlet Ports**
3/8" hose barb
(Custom O-Ring Outlets available)
- Weight**
2.6 lbs (1.18 kg)



Standard Borrd Pump



O-Ring Pump

STANDARD PUMP CONFIGURATIONS (Inquire about other configurations, or valve and diaphragm materials)

Model	Voltage	GPM/LPM	Control Type	Amps	PSI/BAR	Valves	Diaphragm	Ports
SFDP1-013-060-22	12 V	1.3/5.0	Switch & By pass	5.0 MAX	60/4.1	EPDM	Santoprene	3/8" Barb (or Custom O-Ring)
SFDP2-013-060-22	24 V	1.3/5.0	Switch & By pass	2.5 MAX	60/4.1	EPDM	Santoprene	3/8" Barb (or Custom O-Ring)
SFDP1-013-100-22	12 V	1.3/5.0	Switch & By pass	6.0 MAX	100/6.9	EPDM	Santoprene	3/8" Barb (or Custom O-Ring)
SFDP2-013-100-22	24 V	1.3/5.0	Switch & By pass	3.0 MAX	100/6.9	EPDM	Santoprene	3/8" Barb (or Custom O-Ring)
SFDP1-014-080-22	12 V	1.4/5.1	Switch & By pass	5.5 MAX	80/5.5	EPDM	Santoprene	3/8" Barb (or Custom O-Ring)

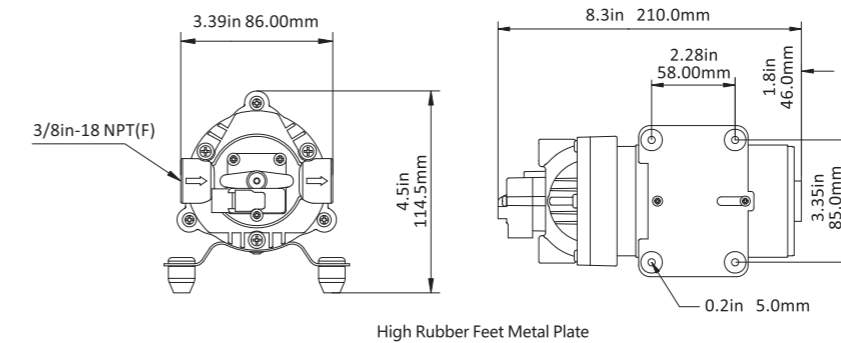
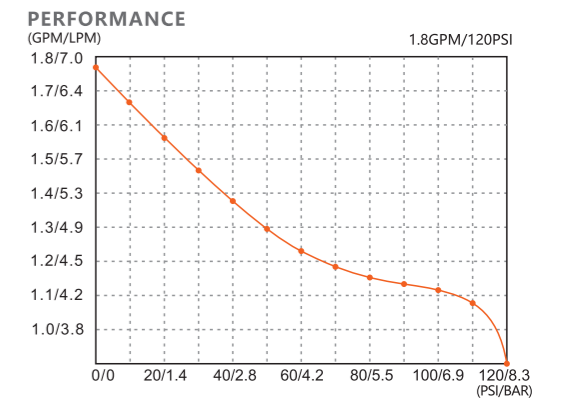
FRESH WATER PUMP 31 SERIES

FEATURES & BENEFITS

- Continuous Duty
- Up to 1.8 GPM
- Self priming
- Run dry safe
- Quiet operation
- On-demand use
- Industry Standard mounting pattern
- Adjustable pressure switch
- 16 AWG, 4.5" (11.4 cm) long Leads

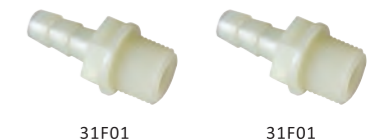
PUMP

- Max Recommended Temperature**
140 °F (60 °C) Max.
- Priming Capabilities**
6 feet (1.8 m) suction lift
- Inlet/Outlet Ports**
3/8"-18 FNPT
- Weight**
5.0 lbs (2.28 kg)



High Rubber Feet Metal Plate

Standard Accessories



More details and other optional accessories please refer to page 91-92

STANDARD PUMP CONFIGURATIONS

Model	Voltage	Control Type	GPM/LPM	PSI/BAR	Max Draw(A)	Valves	Diaphragm	Ports	Wire Connections
SFDP1-015-080-31	12 V	Switch	1.5/5.5	80/5.5	8.0	EPDM	Santoprene	3/8"-18 FNPT	2-Pin/Leads
SFDP2-015-080-31	24 V	Switch	1.5/5.5	80/5.5	4.5	EPDM	Santoprene	3/8"-18 FNPT	2-Pin/Leads
SFDP1-018-080-31	12 V	Switch	1.8/7.0	80/5.5	9.0	EPDM	Santoprene	3/8"-18 FNPT	2-Pin/Leads
SFDP2-018-080-31	24 V	Switch	1.8/7.0	80/5.5	4.5	EPDM	Santoprene	3/8"-18 FNPT	2-Pin/Leads
SFDP1-015-160-31	115 V	Demand	1.5/5.5	160/11.0	1.1	EPDM	Santoprene	3/8"-18 FNPT	2-Pin/Leads
SFDP2-015-160-31	220 V	Demand	1.5/5.5	160/11.0	0.6	EPDM	Santoprene	3/8"-18 FNPT	2-Pin/Leads



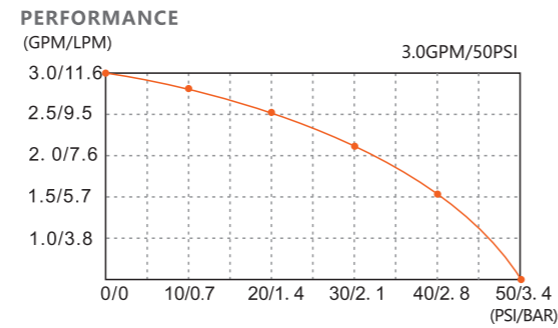
FRESH WATER PUMP 33 SERIES

FEATURES & BENEFITS

- Capable of supplying 2-3 fixtures
- Up to 3.0 GPM
- Self priming
- Run dry safe
- Quiet operation
- On-demand use
- Industry Standard mounting pattern
- Completely rubber mounting-base
- Adjustable pressure switch
- 16 AWG, 4.5" (11.4 cm) long Leads

PUMP

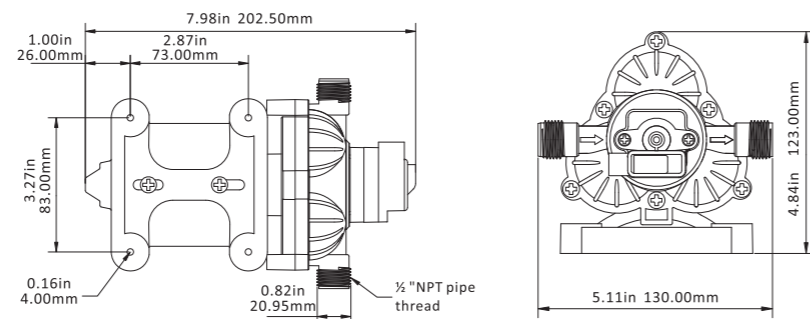
- Max Recommended Temperature**
140 °F (60 °C) Max.
- Priming Capabilities**
6 feet (1.8 m) suction lift
- Inlet/Outlet Ports**
1/2" -14 MNPT
- Weight**
3.97 lbs (1.80 kg)



Standard Accessories



More details and other optional accessories please refer to page 91-92



STANDARD PUMP CONFIGURATIONS

Model	Voltage	Control Type	GPM/LPM	PSI/BAR	Max Draw(A)	Valves	Diaphragm	Ports	Wire Connections
SFDP1-030-045-33	12 V	Switch	3.0/11.3	45/3.1	8.0	EPDM	Santoprene	1/2"-14 MNPT	2-Pin/Leads
SFDP2-030-045-33	24 V	Switch	3.0/11.3	45/3.1	4.0	EPDM	Santoprene	1/2"-14 MNPT	2-Pin/Leads
SFDP1-028-045-33	12 V	Switch	2.8/10.6	45/3.1	6.0	EPDM	Santoprene	1/2"-14 MNPT	2-Pin/Leads
SFDP2-028-045-33	24 V	Switch	2.8/10.6	45/3.1	3.5	EPDM	Santoprene	1/2"-14 MNPT	2-Pin/Leads
SFDPA1-030-50-33	115 V	Demand	3.0/11.3	50/3.4	0.9	EPDM	Santoprene	1/2"-14 MNPT	2-Pin/Leads
SFDPA2-030-50-33	220 V	Demand	3.0/11.3	50/3.4	0.5	EPDM	Santoprene	1/2"-14 MNPT	2-Pin/Leads

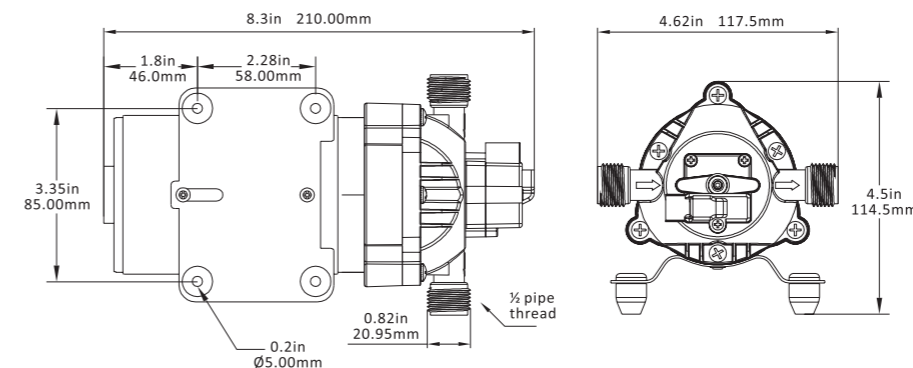
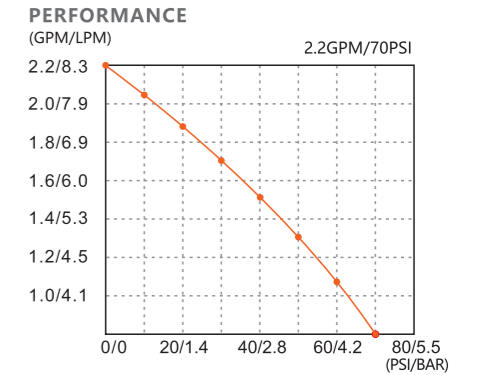
FRESH WATER PUMP 34 SERIES

FEATURES & BENEFITS

- Continuous Duty
- Up to 2.2 GPM
- Self priming
- Run dry safe
- Quiet operation
- On-demand use
- Industry Standard mounting pattern
- Adjustable pressure switch
- Up to 100 PSI
- 18 AWG, 4.5" (11.4 cm) long Leads

PUMP

- Max Recommended Temperature**
140 °F (60 °C) Max.
- Priming Capabilities**
6 feet (1.8 m) suction lift
- Inlet/Outlet Ports**
1/2" -14 MNPT
- Weight**
4.7 lbs (2.16 kg)



Standard Accessories



More details and other optional accessories please refer to page 91-92

STANDARD PUMP CONFIGURATIONS

Model	Voltage	Control Type	GPM/LPM	PSI/BAR	Max Draw (A)	Valves	Diaphragm	Ports	Wire Connections
SFDP1-022-070-34	12 V	Switch	2.2/8.3	70/4.8	7.5	EPDM	Santoprene	1/2"-14 MNPT	2-Pin/Leads
SFDP2-022-070-34	24 V	Switch	2.2/8.3	70/4.8	4.0	EPDM	Santoprene	1/2"-14 MNPT	2-Pin/Leads
SFDP1-016-100-34	12 V	Switch	1.6/6.0	100/6.9	6.0	EPDM	Santoprene	1/2"-14 MNPT	2-Pin/Leads
SFDP2-016-100-34	24 V	Switch	1.6/6.0	100/6.9	4.0	EPDM	Santoprene	1/2"-14 MNPT	2-Pin/Leads



FRESH WATER PUMP 35 SERIES

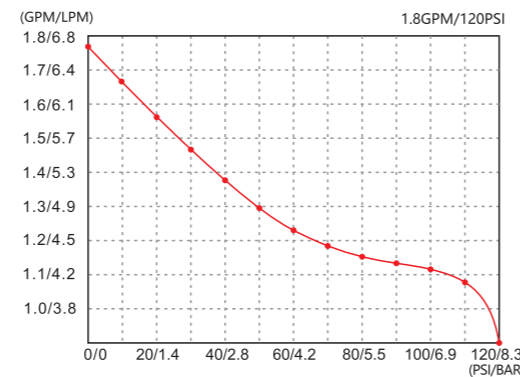
FEATURES & BENEFITS

- Continuous Duty
- Up to 1.8 GPM
- Self priming
- Quick connect clip-in fittings
- Run dry safe
- Quiet operation
- On-demand use
- Industry standard mounting pattern
- Adjustable pressure switch
- 18 AWG, 4.5" (11.4 cm) long Leads

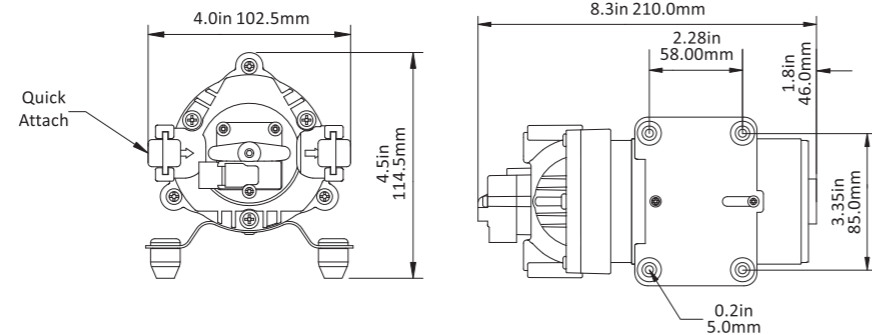
PUMP

- Max Recommended Temperature**
140 °F (60 °C) Max.
- Priming Capabilities**
6 feet (1.8 m) suction lift
- Inlet/Outlet Ports**
Quick Attach
- Weight**
5.7 lbs (2.6 kg)

PERFORMANCE



Standard Accessories



More details and other optional accessories please refer to page 91-92

STANDARD PUMP CONFIGURATIONS

Model	Voltage	Control Type	GPM/LPM	PSI/BAR	Max Draw(A)	Valves	Diaphragm	Ports	Wire Connections
SFDP1-015-080-35	12 V	Switch	1.5/5.5	80/5.5	8.0	EPDM	Santoprene	5/8" Quick Attach	2-Pin/Leads
SFDP2-015-080-35	24 V	Switch	1.5/5.5	80/5.5	4.5	EPDM	Santoprene	5/8" Quick Attach	2-Pin/Leads
SFDP1-018-080-35	12 V	Switch	1.8/7.0	80/5.5	9.0	EPDM	Santoprene	5/8" Quick Attach	2-Pin/Leads
SFDP2-018-080-35	24 V	Switch	1.8/7.0	80/5.5	4.5	EPDM	Santoprene	5/8" Quick Attach	2-Pin/Leads
SFDPA1-015-160-35	115 V	Demand	1.5/5.5	160/11.0	1.1	EPDM	Santoprene	5/8" Quick Attach	2-Pin/Leads
SFDPA2-015-160-35	220 V	Demand	1.5/5.5	160/11.0	0.6	EPDM	Santoprene	5/8" Quick Attach	2-Pin/Leads

FRESH WATER PUMP 41 SERIES(Short)

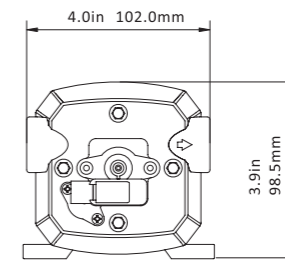
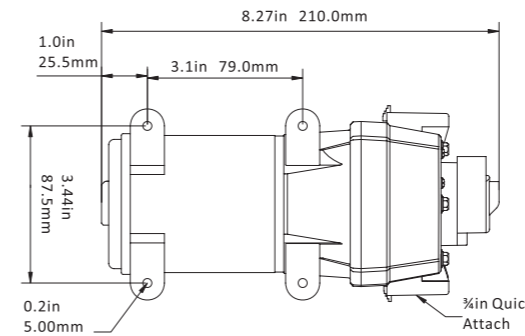
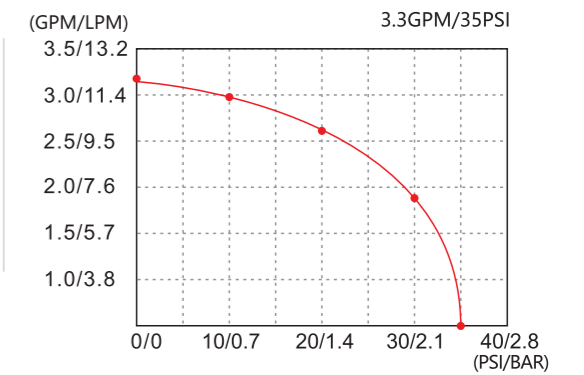
FEATURES & BENEFITS

- Up to 3.3 GPM
- Can supply up to 3 fixtures
- Quick-Connect fittings
- Self priming
- Run dry safe
- On-demand use
- Industry Standard mounting pattern
- Rubber mounting-feet
- Can be used for Fresh & Salt Water
- 16 AWG, 4.5" (11.4 cm) long Leads

PUMP

- Max Recommended Temperature**
140 °F (60 °C) Max.
- Priming Capabilities**
6 feet (1.8 m) suction lift
- Inlet/Outlet Ports**
Quick Attach
- Weight**
4.0 lbs (1.80 kg)

PERFORMANCE



Standard Accessories



More details and other optional accessories please refer to page 91-92

STANDARD PUMP CONFIGURATIONS

Model	Voltage	Control Type	GPM/LPM	PSI/BAR	Max Draw(A)	Valves	Diaphragm	Ports	Wire Connections
SFDP1-027-017-41	12 V	Switch & By pass	2.7/10.0	17/1.2	4.5	EPDM	Santoprene	Quick Attach	2-Pin/Leads
SFDP2-027-017-41	24 V	Switch & By pass	2.7/10.0	17/1.2	2.0	EPDM	Santoprene	Quick Attach	2-Pin/Leads
SFDP1-033-035-41	12 V	Switch & By pass	3.3/12.5	35/2.4	8.0	EPDM	Santoprene	Quick Attach	2-Pin/Leads
SFDP2-033-035-41	24 V	Switch & By pass	3.3/12.5	35/2.4	4.0	EPDM	Santoprene	Quick Attach	2-Pin/Leads
SFDPA1-033-035-41	115 V	Demand & By pass	3.3/12.5	35/2.4	1.0	Viton	Santoprene	Quick Attach	2-Pin/Leads
SFDPA2-033-035-41	220 V	Demand & By pass	3.3/12.5	35/2.4	0.5	Viton	Santoprene	Quick Attach	2-Pin/Leads



FRESH WATER PUMP 41 SERIES(Long)

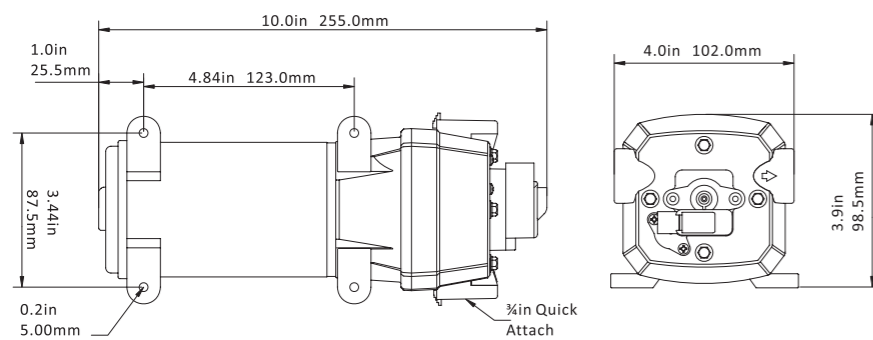
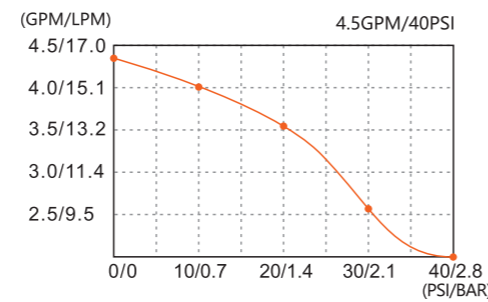
FEATURES & BENEFITS

- Up to 4.5 GPM
- Can supply up to 4 fixtures
- Quick-Connect fittings
- Self priming
- Run dry safe
- On-demand use
- Industry Standard mounting pattern
- Rubber mounting-feet
- Can be used for Fresh & Salt Water
- Adjustable pressure switch
- 16 AWG, 4.5" (11.4 cm) long Leads

PUMP

- Max Recommended Temperature**
140 °F (60 °C) Max.
- Priming Capabilities**
6 feet (1.8 m) suction lift
- Inlet/Outlet Ports**
Quick Attach
- Weight**
5.0 lbs (2.30 kg)

PERFORMANCE



Standard Accessories



More details and other optional accessories please refer to page 91-92

STANDARD PUMP CONFIGURATIONS

Model	Voltage	Control Type	GPM/LPM	PSI/BAR	Max Draw(A)	Valves	Diaphragm	Ports	Wire Connections
SFDP1-045-040-41	12 V	Switch & By pass	4.5/17.0	40/2.8	16.5	EPDM	Santoprene	Quick Attach	2-Pin/Leads
SFDP2-045-040-41	24 V	Switch & By pass	4.5/17.0	40/2.8	8.0	EPDM	Santoprene	Quick Attach	2-Pin/Leads
SFDPA1-045-040-41	115 V	Demand & By pass	4.5/17.0	40/2.8	1.7	EPDM	Santoprene	Quick Attach	2-Pin/Leads
SFDPA2-045-040-41	220 V	Demand & By pass	4.5/17.0	40/2.8	0.9	EPDM	Santoprene	Quick Attach	2-Pin/Leads

FRESH WATER PUMP 42 SERIES(Short)

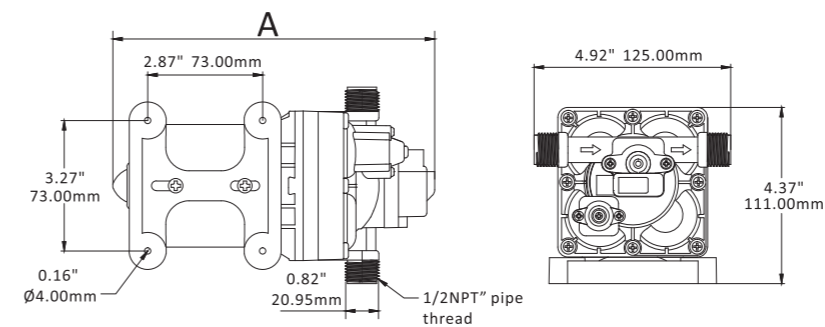
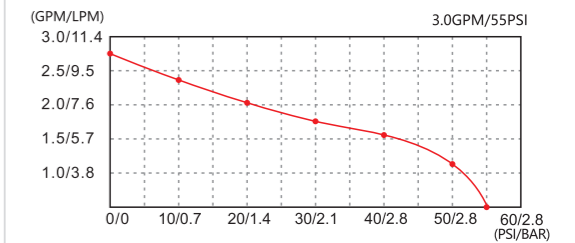
FEATURES & BENEFITS

- Up to 3.0 GPM
- Self priming
- Run dry safe
- Quiet operation
- On-demand use
- Industry Standard mounting pattern
- Completely rubber mounting-base
- Internal bypass technology reduces cycling
- 16 AWG, 9.4" (23.8 cm) long with

PUMP

- Max Recommended Temperature**
140 °F (60 °C) Max.
- Priming Capabilities**
6 feet (1.8 m) suction lift
- Inlet/Outlet Ports**
1/2"-14 MNPT
- Weight**
4.1 lbs (1.90 kg)

PERFORMANCE



A	Model	Dimension
	SFDP1 / 2-020-055-42	194.5 mm (7.66")
	SFDP1 / 2-030-055-42	202.5 mm (7.97")

Standard Accessories



More details and other optional accessories please refer to page 91-92

STANDARD PUMP CONFIGURATIONS

Model	Voltage	Control Type	GPM/LPM	PSI/BAR	Max Draw(A)	Valves	Diaphragm	Ports	Wire Connections
SFDP1-030-055-42	12 V	Switch & By pass	3.0/11.3	55/3.8	7.5	EPDM	Santoprene	1/2"-14 MNPT	2-Pin/Leads
SFDP2-030-055-42	24 V	Switch & By pass	3.0/11.3	55/3.8	4.0	EPDM	Santoprene	1/2"-14 MNPT	2-Pin/Leads
SFDP1-020-055-42	12 V	Switch & By pass	2.0/7.6	55/3.8	6.5	EPDM	Santoprene	1/2"-14 MNPT	2-Pin/Leads
SFDP2-020-055-42	24 V	Switch & By pass	2.0/7.6	55/3.8	3.5	EPDM	Santoprene	1/2"-14 MNPT	2-Pin/Leads



FRESH WATER PUMP 42 SERIES(Long)

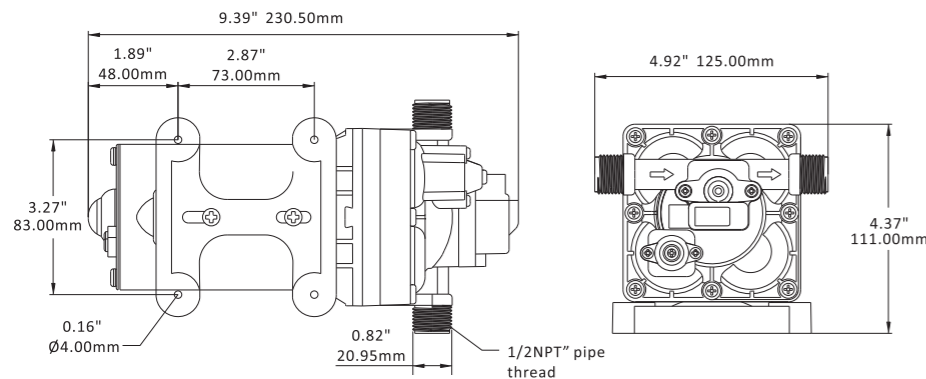
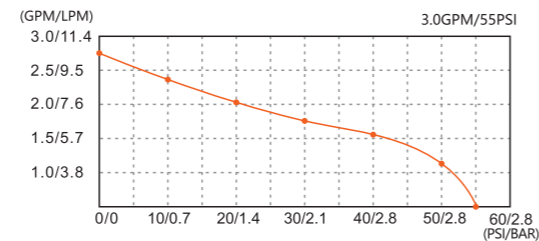
FEATURES & BENEFITS

- Up to 5.0 GPM
- Self priming
- Run dry safe
- Quiet operation
- On-demand use
- Industry Standard mounting pattern
- Completely rubber mounting-base
- Internal bypass technology reduces cycling
- 14 AWG, 9.4"(23.8 cm) long Leads

PUMP

- Max Recommended Temperature**
140 °F (60 °C) Max.
- Priming Capabilities**
6 feet (1.8 m) suction lift
- Inlet/Outlet Ports**
1/2" MNPT
- Weight**
5.95 lbs (2.7 kg)

PERFORMANCE



Standard Accessories



More details and other optional accessories please refer to page 91-92

STANDARD PUMP CONFIGURATIONS

Model	Voltage	Control Type	GPM/LPM	PSI/BAR	Max Draw(A)	Valves	Diaphragm	Ports	Wire Connections
SFDP1-040-055-42	12 V	Switch & By pass	4.0/15.0	55/3.8	10.0	EPDM	Santoprene	1/2" MNPT	2-Pin/Leads
SFDP2-040-055-42	24 V	Switch & By pass	4.0/15.0	55/3.8	6.0	EPDM	Santoprene	1/2" MNPT	2-Pin/Leads
SFDP1-050-055-42	12 V	Switch & By pass	5.0/18.9	55/3.8	15.0	EPDM	Santoprene	1/2" MNPT	2-Pin/Leads
SFDP2-050-055-42	24 V	Switch & By pass	5.0/18.9	55/3.8	7.0	EPDM	Santoprene	1/2" MNPT	2-Pin/Leads

FRESH WATER PUMP 43 SERIES

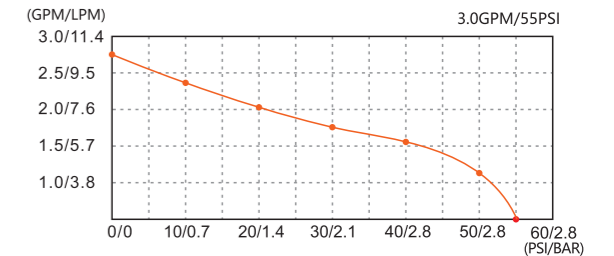
FEATURES & BENEFITS

- Up to 3.0 GPM
- Quick-Connect fittings
- Self priming
- Run dry safe
- Quiet operation
- On-demand use
- Industry Standard mounting pattern
- Completely rubber mounting-base
- Internal bypass technology reduces cycling
- 16 AWG, 9.4"(23.8 cm) long Leads

PUMP

- Max Recommended Temperature**
140 °F (60 °C) Max.
- Priming Capabilities**
6 feet (1.8 m) suction lift
- Inlet/Outlet Ports**
Quick Attach
- Weight**
4.1 lbs (1.90 kg)

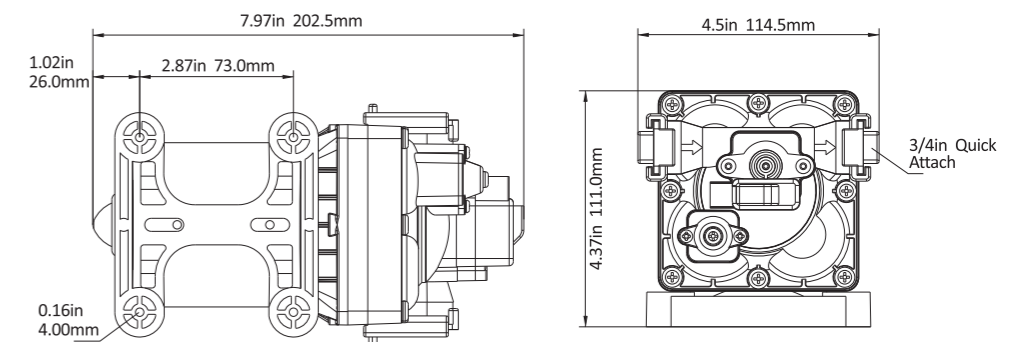
PERFORMANCE



Standard Accessories



More details and other optional accessories please refer to page 91-92



STANDARD PUMP CONFIGURATIONS

Model	Voltage	Control Type	GPM/LPM	PSI/BAR	Max Draw(A)	Valves	Diaphragm	Ports	Wire Connections
SFDP1-030-055-43	12 V	Switch & By pass	3.0/11.3	55/3.8	7.5	EPDM	Santoprene	Quick Attach	2-Pin/Leads
SFDP2-030-055-43	24 V	Switch & By pass	3.0/11.3	55/3.8	4.0	EPDM	Santoprene	Quick Attach	2-Pin/Leads



FRESH WATER PUMP 51 NEW SERIES

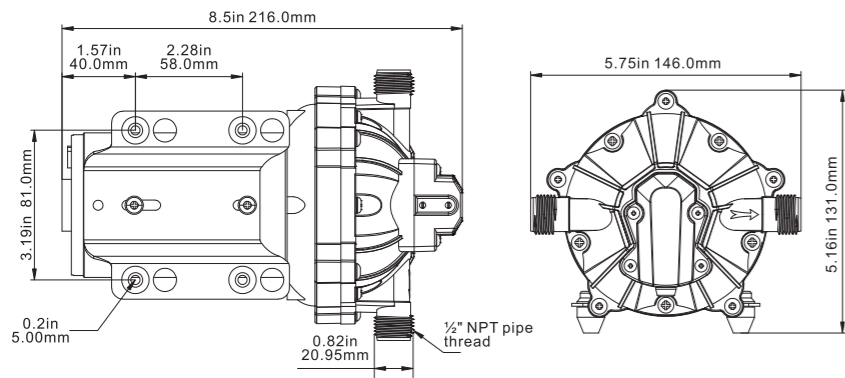
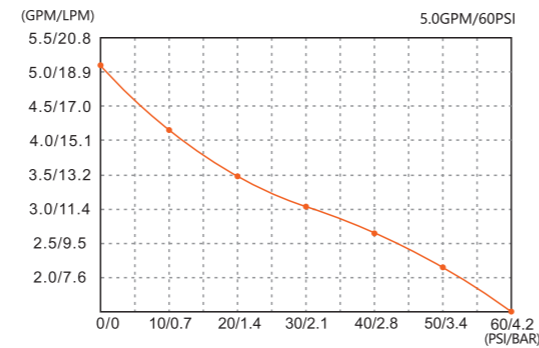
FEATURES & BENEFITS

- Precise pressure control and stable performance
- Good sealing performance, waterproof and dustproof
- Low starting pressure, reduces cycling
- Good heat dissipation
- Longer pump life
- Can supply up to 4 fixtures
- Run dry capable for normal workloads
- Very quiet operation
- On-demand only
- Fresh water or salt water available
- 16 AWG, 9"(22.8 cm) long leads

PUMP

- Max Recommended Temperature**
140 °F (60 °C) Max.
- Priming Capabilities**
6 feet (1.8 m) suction lift
- Inlet/Outlet Ports**
1/2" MNPT
- Weight**
5.9 lbs (2.68 kg)

PERFORMANCE



Standard Accessories



More details and other optional accessories please refer to page 91-92

STANDARD PUMP CONFIGURATIONS

Model	Voltage	Control Type	GPM/LPM	PSI/BAR	Max Draw(A)	Valves	Diaphragm	Ports	Wire Connections
SFDP1-030-060-51 NEW	12 V	Switch	3.0/11.3	60/4.2	8.0	EPDM	Santoprene	1/2"-14 MNPT	2-Pin/Leads
SFDP2-030-060-51 NEW	24 V	Switch	3.0/11.3	60/4.2	4.5	EPDM	Santoprene	1/2"-14 MNPT	2-Pin/Leads
SFDP1-040-060-51 NEW	12 V	Switch	4.0/15.0	60/4.2	11.0	EPDM	Santoprene	1/2"-14 MNPT	2-Pin/Leads
SFDP2-040-060-51 NEW	24 V	Switch	4.0/15.0	60/4.2	6.0	EPDM	Santoprene	1/2"-14 MNPT	2-Pin/Leads
SFDP1-050-060-51 NEW	12 V	Switch	5.0/18.9	60/4.2	15.0	EPDM	Santoprene	1/2"-14 MNPT	2-Pin/Leads
SFDP2-050-060-51 NEW	24 V	Switch	5.0/18.9	60/4.2	8.0	EPDM	Santoprene	1/2"-14 MNPT	2-Pin/Leads

FRESH WATER PUMP 55 SERIES WITH BY PASS

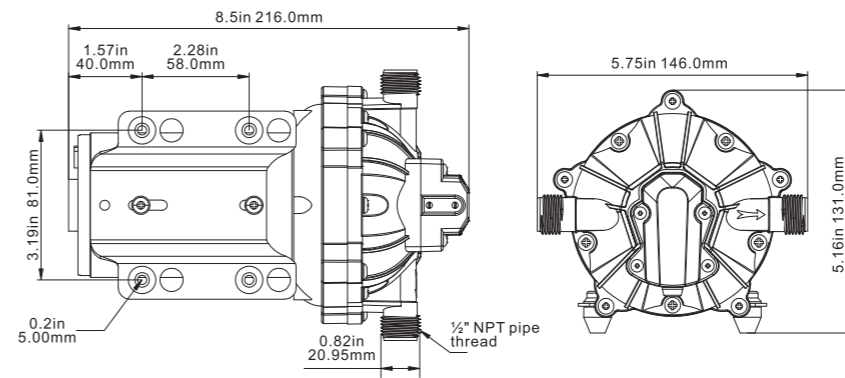
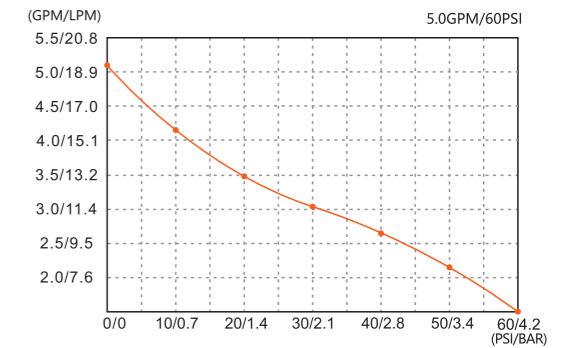
FEATURES & BENEFITS

- Precise pressure control and stable performance
- Good sealing performance, waterproof and dustproof
- Low starting pressure, reduces cycling
- Good heat dissipation
- Longer pump life
- Can supply up to 4 fixtures
- Run dry capable for normal workloads
- Very quiet operation
- On-demand combine with by-pass
- Fresh water or salt water available
- 16 AWG, 9"(22.8 cm) long Leads

PUMP

- Max Recommended Temperature**
140 °F (60 °C) Max.
- Priming Capabilities**
6 feet (1.8 m) suction lift
- Inlet/Outlet Ports**
1/2" MNPT
- Weight**
5.9 lbs (2.68 kg)

PERFORMANCE



Standard Accessories



More details and other optional accessories please refer to page 91-92

STANDARD PUMP CONFIGURATIONS

Model	Voltage	Control Type	GPM/LPM	PSI/BAR	Max Draw(A)	Valves	Diaphragm	Ports	Wire Connections
SFDP1-030-060-55	12 V	Switch & By Pass	3.0/11.3	60/4.2	8.0	EPDM	Santoprene	1/2"-14 MNPT	2-Pin/Leads
SFDP2-030-060-55	24 V	Switch & By Pass	3.0/11.3	60/4.2	4.5	EPDM	Santoprene	1/2"-14 MNPT	2-Pin/Leads
SFDP1-040-060-55	12 V	Switch & By Pass	4.0/15.0	60/4.2	11.0	EPDM	Santoprene	1/2"-14 MNPT	2-Pin/Leads
SFDP2-040-060-55	24 V	Switch & By Pass	4.0/15.0	60/4.2	6.0	EPDM	Santoprene	1/2"-14 MNPT	2-Pin/Leads
SFDP1-050-060-55	12 V	Switch & By Pass	5.0/18.9	60/4.2	15.0	EPDM	Santoprene	1/2"-14 MNPT	2-Pin/Leads
SFDP2-050-060-55	24 V	Switch & By Pass	5.0/18.9	60/4.2	8.0	EPDM	Santoprene	1/2"-14 MNPT	2-Pin/Leads



FRESH WATER PUMP 52 SERIES

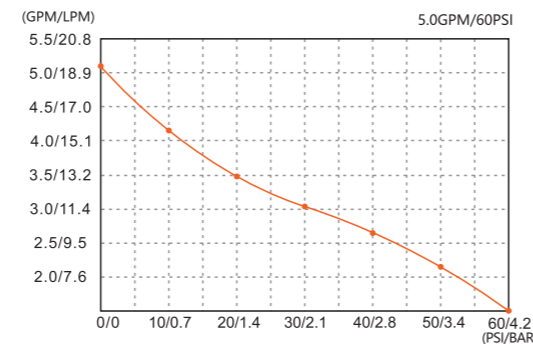
FEATURES & BENEFITS

- Up to 5.0 GPM
- Continuous Duty
- Can supply up to 4 fixtures
- Quick connect fittings
- Very quiet operation
- Self priming
- Run dry safe
- On-demand use
- Industry Standard mounting pattern
- Can be used for Fresh & Salt Water
- Heavy-Duty Motor
- 16 AWG, 9"(22.8 cm) long Leads

PUMP

- Max Recommended Temperature**
140 °F (60 °C) Max.
- Priming Capabilities**
6 feet (1.8 m) suction lift
- Inlet/Outlet Ports**
Quick Attach
- Weight**
5.95 lbs (2.7 kg)

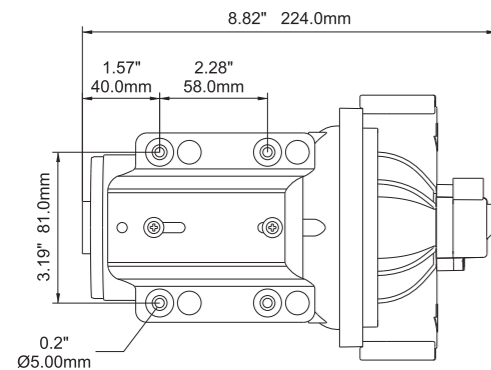
PERFORMANCE



Standard Accessories



More details and other optional accessories please refer to page 91-92



STANDARD PUMP CONFIGURATIONS

Model	Voltage	Control Type	GPM/LPM	PSI/BAR	Max Draw(A)	Valves	Diaphragm	Ports	Wire Connections
SFDP1-030-060-52	12 V	Switch	3.0/11.3	60/4.2	10.0	EPDM	Santoprene	Quick Attach	2-Pin/Leads
SFDP2-030-060-52	24 V	Switch	3.0/11.3	60/4.2	5.5	EPDM	Santoprene	Quick Attach	2-Pin/Leads
SFDP1-040-060-52	12 V	Switch	4.0/15.0	60/4.2	13.0	EPDM	Santoprene	Quick Attach	2-Pin/Leads
SFDP2-040-060-52	24 V	Switch	4.0/15.0	60/4.2	7.0	EPDM	Santoprene	Quick Attach	2-Pin/Leads
SFDP1-050-060-52	12 V	Switch	5.0/18.9	60/4.2	17.0	EPDM	Santoprene	Quick Attach	2-Pin/Leads
SFDP2-050-060-52	24 V	Switch	5.0/18.9	60/4.2	9.0	EPDM	Santoprene	Quick Attach	2-Pin/Leads
SFDP1-050-070-52	12 V	Switch	5.0/18.9	70/4.8	18.0	EPDM	Santoprene	Quick Attach	2-Pin/Leads
SFDP2-050-070-52	24 V	Switch	5.0/18.9	70/4.8	10.0	EPDM	Santoprene	Quick Attach	2-Pin/Leads

FRESH WATER PUMP 53 SERIES

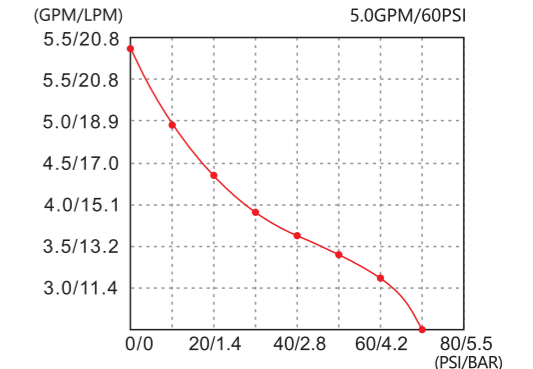
FEATURES & BENEFITS

- Up to 7.0 GPM
- Continuous Duty
- Can supply up to 6 fixtures
- Heavy-Duty Motor
- Quick connect fittings
- Self priming
- Run dry safe
- On-demand use
- Can be used for Fresh & Salt Water
- Adjustable pressure switch
- 16 AWG, 9"(22.8 cm) long Leads

PUMP

- Max Recommended Temperature**
140 °F (60 °C) Max.
- Priming Capabilities**
6 feet (1.8 m) suction lift
- Inlet/Outlet Ports**
Quick Attach
- Weight**
9.5 lbs (4.31 kg)

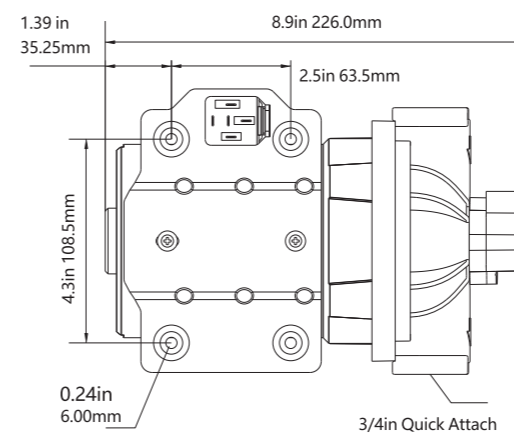
PERFORMANCE



Standard Accessories



More details and other optional accessories please refer to page 91-92



STANDARD PUMP CONFIGURATIONS

Model	Voltage	Control Type	GPM/LPM	PSI/BAR	Max Draw(A)	Valves	Diaphragm	Ports	Wire Connections
SFDP1-070-060-53	12 V	Switch	7.0/26.5	60/4.1	24.5	EPDM	Santoprene	Quick Attach	2-Pin/Leads
SFDP2-070-060-53	24 V	Switch	7.0/26.5	60/4.1	13.0	EPDM	Santoprene	Quick Attach	2-Pin/Leads



Color Box

33 SERIES WASHDOWN PUMP KIT WITH 6 M COILED HOSE

FEATURES & BENEFITS

- Positive displacement pump
- Can run dry
- Quiet operation
- Demand pump
- Easy connect fittings
- Ignition protected
- Industry standard mount pattern

PUMP

- Liquid temperature 140 °F (60 °C) Max.
- Priming Capabilities 6 feet (1.8 m) suction lift
- Inlet/Outlet Ports 1/2" -14MNPT
- Weight 6.74 lbs (3.06 kg) -33 series

INCLUDES:

- 3.0/5.0 GPM Heavy-Duty Washdown Pump
- Trigger Spray Nozzle w/ Quick Connect
- 20' Coiled Hose (UV Protected, 1/2")
- Quick Hose Disconnect Fitting
- 50 Mesh Inlet Strainer
- 1/2" Barbed Fittings



More details and other optional accessories please refer to page 91-92

STANDARD PUMP CONFIGURATIONS

Model	Voltage	Switch	GPM/LPM	PSI/BAR	Max Draw(A)	Valves	Diaphragm	Ports	Wire Connections
SFWP1-030-070-33	12 V	Demand	3.0/11.3	70/4.8	12	EPDM	Santoprene	1/2" -14 MPNT	2-Pin/Leads
SFWP2-030-070-33	24 V	Demand	3.0/11.3	70/4.8	6	EPDM	Santoprene	1/2" -14 MPNT	2-Pin/Leads

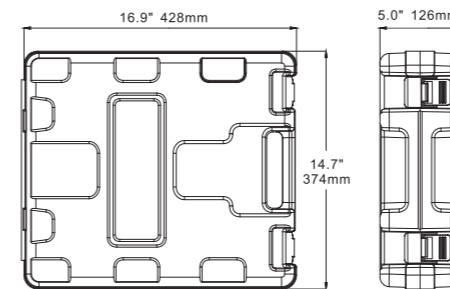
41 SERIES PORTABLE WASHDOWN PUMP KIT

FEATURES & BENEFITS

- 6M UV-protected Coiled Hose Coil
- 2M Inlet Hose
- Easy to use, store, and carry on
- Adjustable sprayer
- Built-in by pass valve
- Smooth flowing
- Quiet Operation
- 16 AWG, 4.5"(11.4 cm) long Leads

PUMP

- Liquid temperature 140 °F (60 °C) Max.
- Priming Capabilities 6 feet(1.8 m) suction lift
- Max Pressure 70 PSI (4.8 BAR)
- Weight 11 lbs (5 kg)



Color Box

Standard Accessories



More details and other optional accessories please refer to page 91-92

STANDARD PUMP CONFIGURATIONS

Model	Voltage	Open Flow (GPM/LPM)	Control Type	Max Draw(A)	Shut-off Pressure (PSI/BAR)	Valves	Diaphragm	Ports	Wire Connections
SFWP1-045-070-41	12 V	4.5 / 17.0	Demand & By pass	17.0	70 / 4.8	EPDM	Santoprene	Quick attach	2-Pin/Leads

6 M HOSECOIL WASHDOWN SYSTEM

FEATURES & BENEFITS

- Consists of UV-protected 20' (6 m) Coiled 1/3" I.D. Hose, spray nozzle with adjustable tip and contoured grip and bronze fittings.
- Coil hose eliminates any kinds that may arise from normal water hose.
- Designed to facilitate easy, neat, safe storage.
- Great for large cockpits, dockside installation and even home cleaning use.



Color Box

Model	SFHW2-060-01		
Spray Gun	Connector:5/8"QA	Pressure:0-8 Bar	
Contoured Grip	Connector:5/8"QA *5/8"QA	Diameter: ID 1/3"	Length:20"
Adaptor	Connector:3/4"FNPT / 1/2"FNPT / 1"FNPT * 5/8" QA		



Color Box



Color Box



42 SERIES WASHDOWN PUMP KIT WITH 7.5 M COILED HOSE

FEATURES & BENEFITS

Self-priming up to 1.83 m/6 feet
 Spray gun range 10 m/32.81 feet
 Dry run capability
 Intermittent duty
 UV-protected hose-pipe, 7.5 m/24.61 feet
 Anticorrosive stoving varnish coated motor
 The best choice for cleaning boats, fish boxes, anchor wells, dinghies, and other similar applications

PUMP

Liquid temperature
 140 °F (60 °C)Max.
Priming Capabilities
 6 feet (1.8 m)suction lift
Max Pressure
 55PSI (3.8 BAR)
Weight
 7.02 lbs (3.2 kg)

INCLUDES:

- (1) 4.0 GPM Heavy-Duty Washdown Pump
- (2) Trigger Spray Nozzle w/ Quick Connect
- (3) 25' Coiled Hose (UV Protected, 1/2")
- (4) Quick Hose Disconnect Fitting
- (5) 50 Mesh Inlet Strainer
- (6) 1/2" Barbed Fittings

42 SERIES WASHDOWN PUMP KIT WITHOUT COILED HOSE

FEATURES & BENEFITS

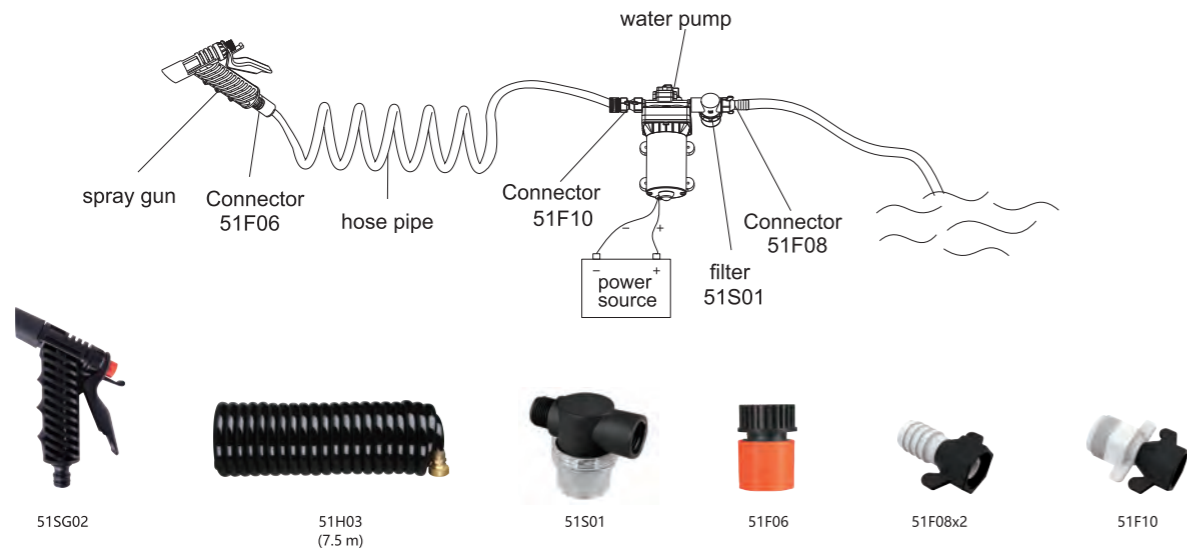
Built-in check valve
 Spray gun range 10m/32.81 feet
 Intermittent duty
 Self-priming up to 1.83m/6 feet
 Dry run capability
 Anticorrosive stoving varnish coated motor
 The best choice for cleaning boats, fish boxes, anchor wells, dinghies, and other similar applications

PUMP

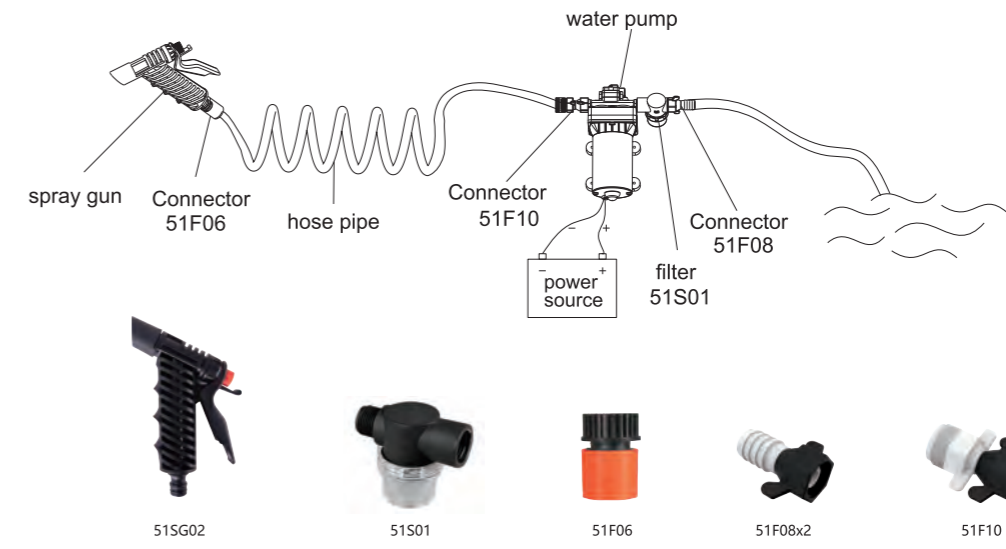
Liquid temperature
 140 °F (60 °C) Max.
Priming Capabilities
 6 feet (1.8 m) suction lift
Max Pressure
 55PSI (3.8 BAR)
Weight
 5.7 lbs (2.6 kg)

INCLUDES:

- (1) 4.0 GPM Heavy-Duty Washdown Pump
- (2) Trigger Spray Nozzle w/ Quick Connect
- (3) Quick Hose Disconnect Fitting
- (4) 50 Mesh Inlet Strainer
- (5) 1/2" Barbed Fittings



More details and other optional accessories please refer to page 91-92



More details and other optional accessories please refer to page 91-92

STANDARD PUMP CONFIGURATIONS

Model	Voltage	Open Flow (GPM/LPM)	Control Type	Max Draw(A)	Shut-off Pressure (PSI/BAR)	Valves	Diaphragm	Ports	Wire Connections
SFWP1-040-055-42A	12 V	4.0 / 15.0	Demand & By pass	13.0	55 / 3.8	EPDM	Santoprene	1/2"-14MNPT	2-Pin/Leads
SFWP2-040-055-42A	24 V	4.0 / 15.0	Demand & By pass	7.0	55 / 3.8	EPDM	Santoprene	1/2"-14MNPT	2-Pin/Leads

STANDARD PUMP CONFIGURATIONS

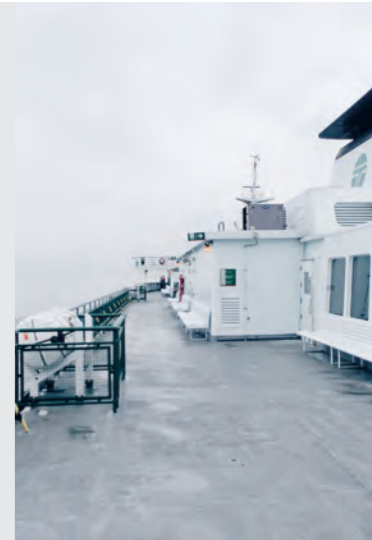
Model	Voltage	Open Flow (GPM/LPM)	Control Type	Max Draw(A)	Shut-off Pressure (PSI/BAR)	Valves	Diaphragm	Ports	Wire Connections
SFWP1-040-055-42B	12 V	4.0 / 15.0	Demand & By pass	13.0	55 / 3.8	EPDM	Santoprene	1/2"-14MNPT	2-Pin/Leads
SFWP2-040-055-42B	24 V	4.0 / 15.0	Demand & By pass	7.0	55 / 3.8	EPDM	Santoprene	1/2"-14MNPT	2-Pin/Leads



Color Box



Color Box



51 SERIES WASHDOWN PUMP KIT WITH 7.5 M COILED HOSE

FEATURES & BENEFITS

Self-priming up to 1.83 m/6 feet
 Spray gun range 10 m/32.81 feet
 Dry run capability
 Intermittent duty
 UV-protected hose-pipe, 7.5 m/24.61 feet
 Anticorrosive stoving varnish coated motor
 The best choice for cleaning boats, fish boxes, anchor wells, dinghies, and other similar applications

PUMP

Liquid temperature
 140 °F (60 °C) Max.
Priming Capabilities
 6 feet (1.8 m) suction lift
Max Pressure
 70PSI (4.8 BAR)
Weight
 7.67 lbs (3.5 kg)

INCLUDES:

- (1) 3/5 GPM Heavy-Duty Washdown Pump
- (2) Trigger Spray Nozzle w/ Quick Connect
- (3) 25' Coiled Hose (UV Protected, 1/2")
- (4) Quick Hose Disconnect Fitting
- (5) 50 Mesh Inlet Strainer
- (6) 1/2" Barbed Fittings

51 SERIES WASHDOWN PUMP KIT WITHOUT COILED HOSE

FEATURES & BENEFITS

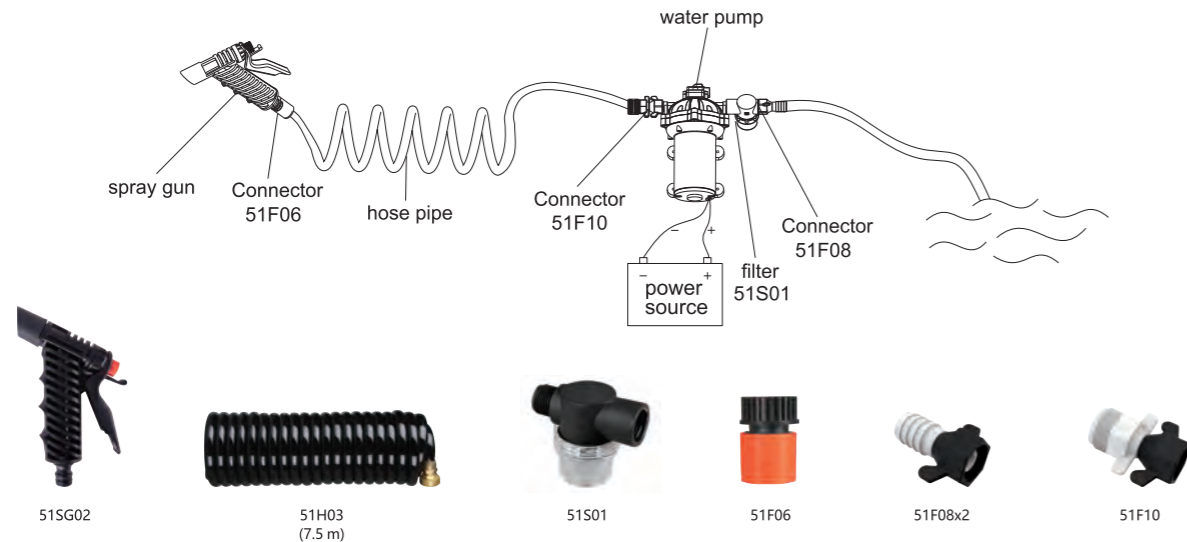
Built-In check valve
 Spray gun range 10 m/32.81 feet
 Intermittent duty
 Self-priming up to 1.83 m/6 feet
 Dry run capability
 Anticorrosive stoving varnish coated motor
 The best choice for cleaning boats, fish boxes, anchor wells, dinghies, and other similar applications

PUMP

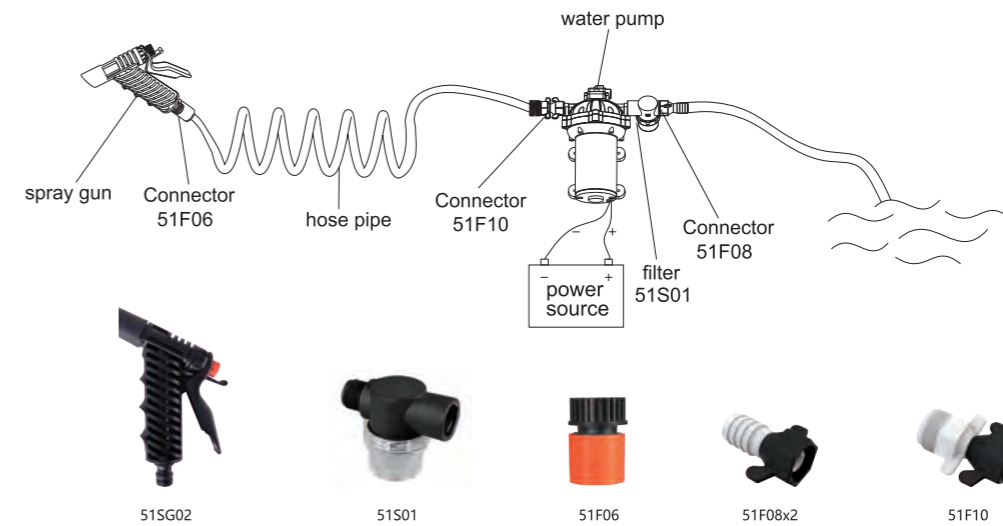
Liquid temperature
 140 °F (60 °C) Max.
Priming Capabilities
 6 feet(1.8 m) suction lift
Max Pressure
 70PSI(4.8 BAR)
Weight
 6.36 lbs (2.9 kg)

INCLUDES:

- (1) 3/5 GPM Heavy-Duty Washdown Pump
- (2) Trigger Spray Nozzle w/ Quick Connect
- (3) Quick Hose Disconnect Fitting
- (4) 50 Mesh Inlet Strainer
- (5) 1/2" Barbed Fittings



More details and other optional accessories please refer to page 91-92



More details and other optional accessories please refer to page 91-92

STANDARD PUMP CONFIGURATIONS

Model	Voltage	Open Flow (GPM/LPM)	Control Type	Max Draw (A)	Shut-off Pressure (PSI/BAR)	Valves	Diaphragm	Ports	Wire Connections
SFWP1-052-070-51A NEW	12 V	5.2 / 19.7	Demand	18.0	70 / 4.8	EPDM	Santoprene	1/2"-14MNPT	2-Pin/Leads
SFWP2-052-070-51A NEW	24 V	5.2 / 19.7	Demand	9.5	70 / 4.8	EPDM	Santoprene	1/2"-14MNPT	2-Pin/Leads

STANDARD PUMP CONFIGURATIONS

Model	Voltage	Open Flow (GPM/LPM)	Control Type	Max Draw (A)	Shut-off Pressure (PSI/BAR)	Valves	Diaphragm	Ports	Wire Connections
SFWP1-052-070-51B NEW	12 V	5.2 / 19.7	Demand	18.0	70 / 4.8	EPDM	Santoprene	1/2"-14MNPT	2-Pin/Leads
SFWP2-052-070-51B NEW	24 V	5.2 / 19.7	Demand	9.5	70 / 4.8	EPDM	Santoprene	1/2"-14MNPT	2-Pin/Leads



Color Box

51 SERIES WASHDOWN PUMP KIT WITH 6 M COILED HOSE

FEATURES & BENEFITS

- Positive displacement pump
- Can run dry
- Quiet operation
- Demand pump
- Easy connect fittings
- Ignition protected
- Industry standard mount pattern

PUMP

- Liquid temperature 140 °F (60 °C) Max.
- Priming Capabilities 6 feet (1.8 m) suction lift
- Inlet/Outlet Ports 1/2" -14MNPT
- Weight 8.2 lbs (3.72 kg) -51 series

INCLUDES:

- (1) 3.0/5.0 GPM Heavy-Duty Washdown Pump
- (2) Trigger Spray Nozzle w/ Quick Connect
- (3) 20' Coiled Hose (UV Protected, 1/2")
- (4) Quick Hose Disconnect Fitting
- (5) 50 Mesh Inlet Strainer
- (6) 1/2" Barbed Fittings



More details and other optional accessories please refer to page 91-92

STANDARD PUMP CONFIGURATIONS

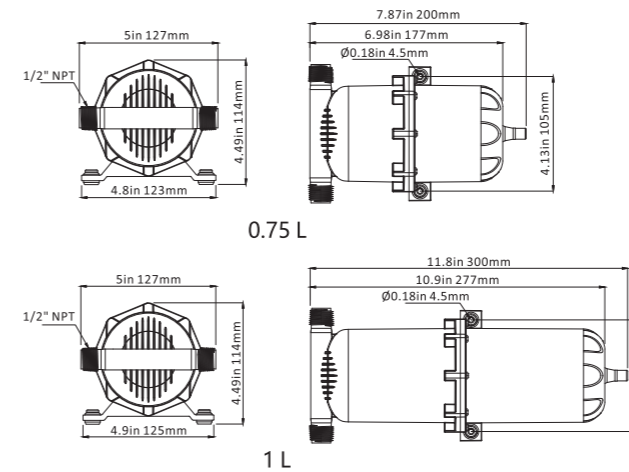
Model	Voltage	Switch	GPM/LPM	PSI/BAR	Max Draw(A)	Valves	Diaphragm	Ports	Wire Connections
SFWP1-050-070-51 NEW	12 V	Demand	5.0/18.9	70/4.8	17	EPDM	Santoprene	1/2"-14 MPNT	2-Pin/Leads
SFWP2-050-070-51 NEW	24 V	Demand	5.0/18.9	70/4.8	10	EPDM	Santoprene	1/2" -14 MPNT	2-Pin/Leads
SFWP1-055-070-51 NEW	12 V	Demand	5.5/20.0	70/4.8	17	EPDM	Santoprene	1/2"-14 MPNT	2-Pin/Leads
SFWP2-055-070-51 NEW	24 V	Demand	5.5/20.0	70/4.8	10	EPDM	Santoprene	1/2" -14 MPNT	2-Pin/Leads

PRESSURIZED ACCUMULATOR TANK 0.75 L/1 L

Accumulator tanks hold a reservoir of air and water down stream from the pump. The air acts as a cushion, absorbing pump and pressure fluctuations, smoothing the flow and making the system quieter. Accumulators allow the pump to reach shut-off pressure more smoothly which reduces the on/off cycle which gives better control of hot water delivery.

FEATURES & BENEFITS

- Smoother flow, quieter water systems.
- Internal rubber membrane eliminates maintenance and allows universal mounting.
- Better control of hot water temperatures.
- Simply fitted to new or existing systems.
- Longer pump life, lower battery drain.
- Snap-in port fittings.



Standard Accessories:



Optional Accessories:



More details and other optional accessories please refer to page 91-92

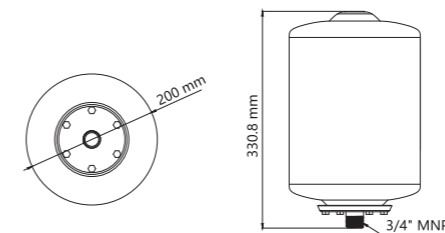
PRODUCT SPECIFICATIONS

Model	Internal Volume	Pre-charge Pressure	Max Operating Pressure	Air Fill Valve	Inlet/Outlet Dia	Weight	Dimensions
SFAT-075-125-01	0.75 L 23.5 OZ	10 PSI 0.7 BAR	125 PSI 8.6 BAR	standard automotive style tire valve	1/2" MNPT	360 g	8.1"x4.6" 205mm x 116mm
SFAT-100-125-01	1.0 L 33.8 OZ	10 PSI 0.7 BAR	125 PSI 8.6 BAR	standard automotive style tire valve	1/2" MNPT	660 g	12"x4.6" 300mm x 114mm

8L WATER ACCUMULATOR TANK

FEATURES & BENEFITS

- Making flow more smoother
- Prolong pump's service life
- protective coating for corrosion resistance
- 3/4" MNPT thread for convenient installation in the water system



STANDARD PUMP CONFIGURATIONS

Model	Tank Volume	Max. Pressure	Inlet/outlet size	Net Weight
SFAT-087-021-01	8L	87 PSI (6 Bar)	3/4" MNPT	2 KG



Color Box



Color Box



33 SERIES ECONOMIC WATER PRESSURE SYSTEM

3.0 GPM/11.3LPM Pump with Integrated Accumulator Tank

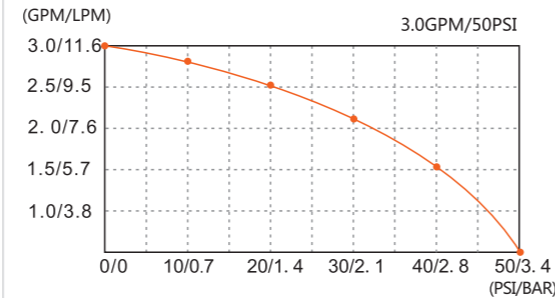
FEATURES & BENEFITS

- Powerful 3.0 gallons / 11.3 litres per minute of flow
- Ultra quiet with constant and steady flow
- Superior self-priming capabilities
- Powerful enough to supply up to 3 fixtures
- Built-in adjustable pressure switch
- Easy pre-assembled installation
- Heavy-duty, corrosion resistant motor
- Capable of being run dry without damage
- Can be fitted to new or existing systems

PUMP

- Max Recommended Temperature**
140 °F (60 °C) Max.
- Priming Capabilities**
6 feet (1.8 m) suction lift
- Inlet/Outlet Ports**
1/2" MNPT
- Weight**
7.1 lbs (3.2 kg)

PERFORMANCE



42 SERIES QUIETEST WATER PRESSURE SYSTEM

3.0 GPM/11.3LPM Pump with Integrated Accumulator Tank

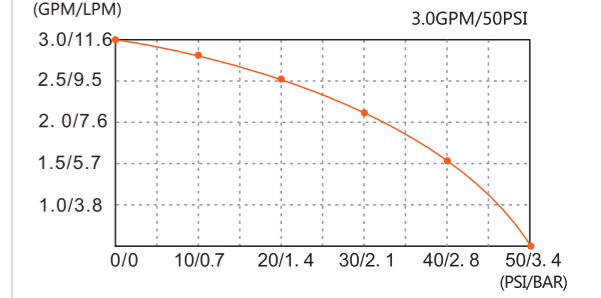
FEATURES & BENEFITS

- Powerful 3.0 gallons / 11.3 litres per minute of flow
- Ultra quiet with constant and steady flow
- Superior self-priming capabilities
- Powerful enough to supply up to 3 fixtures
- Built-in adjustable pressure switch
- Easy pre-assembled installation
- Heavy-duty, corrosion resistant motor
- Capable of being run dry without damage
- Can be fitted to new or existing systems

PUMP

- Max Recommended Temperature**
140 °F (60 °C) Max.
- Priming Capabilities**
6 feet (1.8 m) suction lift
- Inlet/Outlet Ports**
1/2" MNPT
- Weight**
7.28 lbs (3.3 kg)

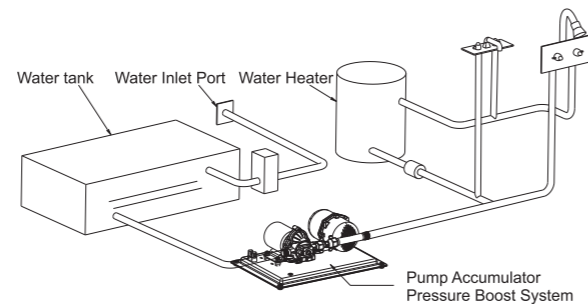
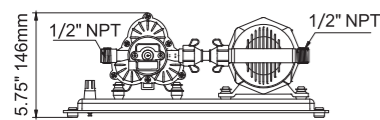
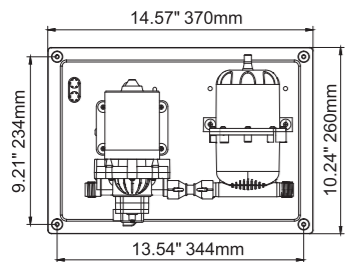
PERFORMANCE



Standard Accessories:



More details and other optional accessories, please refer to page 91-92



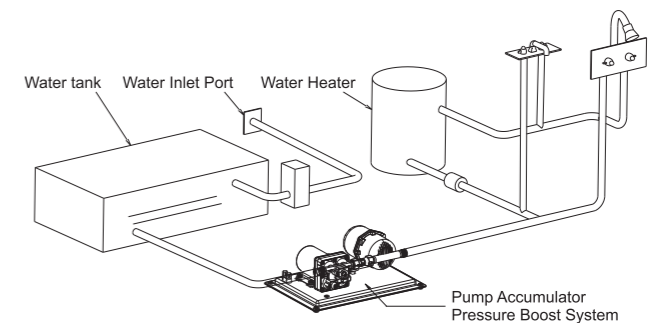
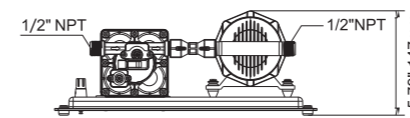
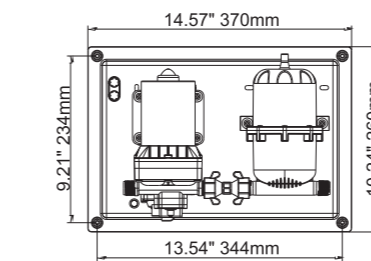
STANDARD PUMP CONFIGURATIONS

Model	Tank Volume	Voltage	Control Type	GPM/LPM	Pressure On (PSI/ BAR)	Pressure Off (PSI/ BAR)	Max Draw(A)	Ports	Wire Connections
SFWSK1-030-045-002	0.75 L	12 V	Switch	3.0/11.3	35/2.4	45/3.1	11.0	1/2" MNPT	2-Pin/Leads
SFWSK2-030-045-002	0.75 L	24 V	Switch	3.0/11.3	35/2.4	45/3.1	5.5	1/2" MNPT	2-Pin/Leads

Standard Accessories:



More details and other optional accessories, please refer to page 91-92



STANDARD PUMP CONFIGURATIONS

Model	Tank Volume	Voltage	Control Type	GPM/LPM	Pressure On (PSI/ BAR)	Pressure Off (PSI/ BAR)	Max Draw(A)	Ports	Wire Connections
SFWSK1-030-055-002	0.75 L	12 V	Switch & By Pass	3.0/11.3	45/3.1	55/3.8	3.5	1/2" MNPT	2-Pin/Leads
SFWSK2-030-055-002	0.75 L	24 V	Switch & By Pass	3.0/11.3	45/3.1	55/3.8	2.0	1/2" MNPT	2-Pin/Leads



Color Box



Kraft Box



51 SERIES HIGH FLOW WATER PRESSURE SYSTEM

5.5 GPM/20.8LPM Pump with Integrated Accumulator Tank

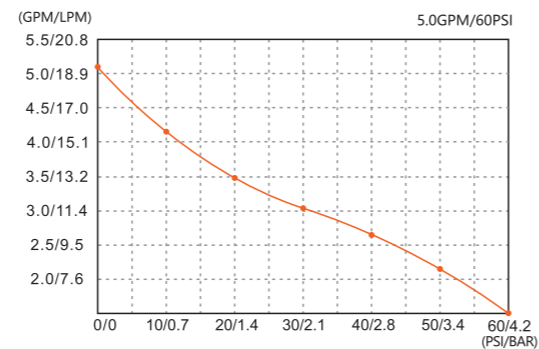
FEATURES & BENEFITS

- Powerful 5.5 gallons/20.8 litres per minute of flow
- Ultra quiet with constant and steady flow
- Superior self-priming capabilities
- Powerful enough to supply up to 5 fixtures
- Built-in adjustable pressure switch
- Easy pre-assembled installation
- Heavy-duty, corrosion resistant motor
- Capable of being run dry without damage
- Can be fitted to new or existing systems

PUMP

- Max Recommended Temperature**
140 °F (60 °C) Max.
- Priming Capabilities**
6 feet (1.8 m) suction lift
- Inlet/Outlet Ports**
1/2" MNPT
- Weight**
9.7 lbs (4.4 kg)

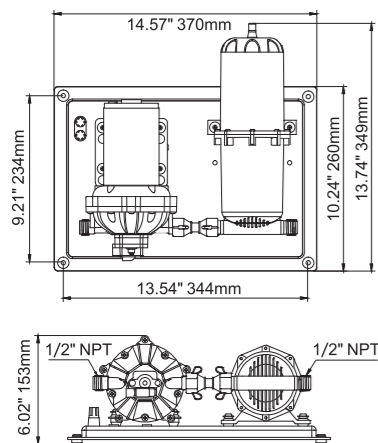
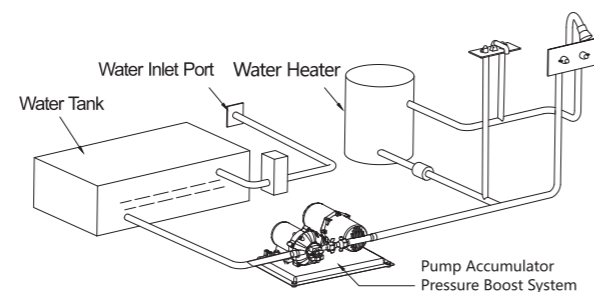
PERFORMANCE



Standard Accessories:



More details and other optional accessories, please refer to page 91-92



STANDARD PUMP CONFIGURATIONS

Model	Tank Volume	Voltage	Control Type	GPM/LPM	Pressure On (PSI/BAR)	Pressure Off (PSI/BAR)	Max Draw(A)	Ports	Wire Connections
SFWSK1-055-060-003 NEW	1.0 L	12 V	Switch	5.5/20.8	50/3.4	60/4.2	18.0	1/2" MNPT	2-Pin/Leads
SFWSK2-055-060-003 NEW	1.0 L	24 V	Switch	5.5/20.8	50/3.4	60/4.2	9.0	1/2" MNPT	2-Pin/Leads

LUXURY PUMP ACCUMULATOR PRESSURE BOOST SYSTEM

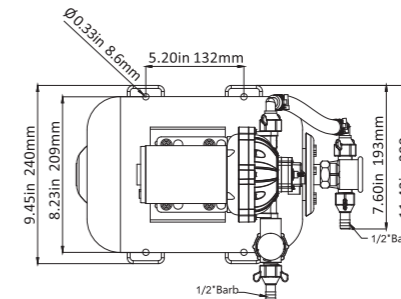
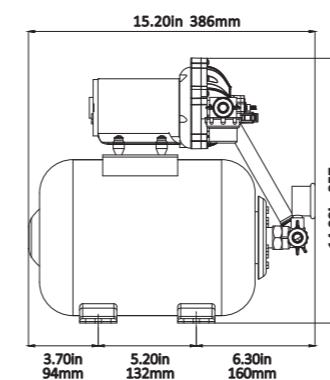
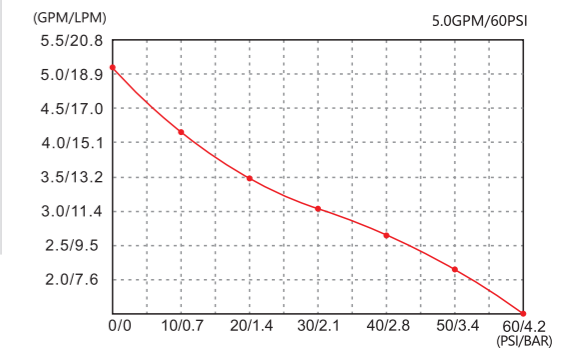
FEATURES & BENEFITS

- Smoother flow, quieter water systems.
- Longer pump life, lower battery drain.
- Self-priming up to 6 feet (1.8 m).
- Five Chamber diaphragms for smooth and quiet operation.
- Can be installed vertically or horizontally.
- Maintenance free potable water quality accumulator tank.
- Complies with USCG 183.410 and ISO 8846 MARINE (Ignition Protection).
- 16 AWG, 4.5" long Leads

PUMP

- Max Recommended Temperature**
140 °F (60 °C) Max.
- Priming Capabilities**
6 feet (1.8 m) suction lift
- Inlet/Outlet Ports**
1/2" -14 MNPT
- Weight**
11.9 lbs (5.4 kg)

PERFORMANCE



Standard Accessories:



More details and other optional accessories please refer to page 91-92

STANDARD PUMP CONFIGURATIONS

Model	Tank Volume	Voltage	Control Type	GPM/LPM	Pressure On (PSI/BAR)	Pressure Off (PSI/BAR)	Max Draw(A)	Ports	Wire Connections
SFWSK1-030-060-0021 NEW	8 L	12 V	Switch	3.0/11.3	40/2.8	60/4.2	10.0	1/2" barb	2-Pin/Leads
SFWSK2-030-060-0021 NEW	8 L	24 V	Switch	3.0/11.3	40/2.8	60/4.2	5.5	1/2" barb	2-Pin/Leads
SFWSK1-040-060-0021 NEW	8 L	12 V	Switch	4.0/15.0	40/2.8	60/4.2	13.0	1/2" barb	2-Pin/Leads
SFWSK2-040-060-0021 NEW	8 L	24 V	Switch	4.0/15.0	40/2.8	60/4.2	7.0	1/2" barb	2-Pin/Leads
SFWSK1-050-060-0021 NEW	8 L	12 V	Switch	5.0/18.9	40/2.8	60/4.2	17.0	1/2" barb	2-Pin/Leads
SFWSK2-050-060-0021 NEW	8 L	24 V	Switch	5.0/18.9	40/2.8	60/4.2	9.0	1/2" barb	2-Pin/Leads



Color Box



10L

20L



Color Box



PORTABLE TOILET

Your Best Choice For Marine, Rv, camping Board Room, Medical Care, Children

FEATURES & BENEFITS

- Light weight and durable
- Brand new and high quality
- Compact design for easy storage and transportation
- Large, comfortable seat, simple to use, easy to maintain
- No external water or power connections required
- Easy to carry, easy to clean



Cover Of Waste Holding Tank

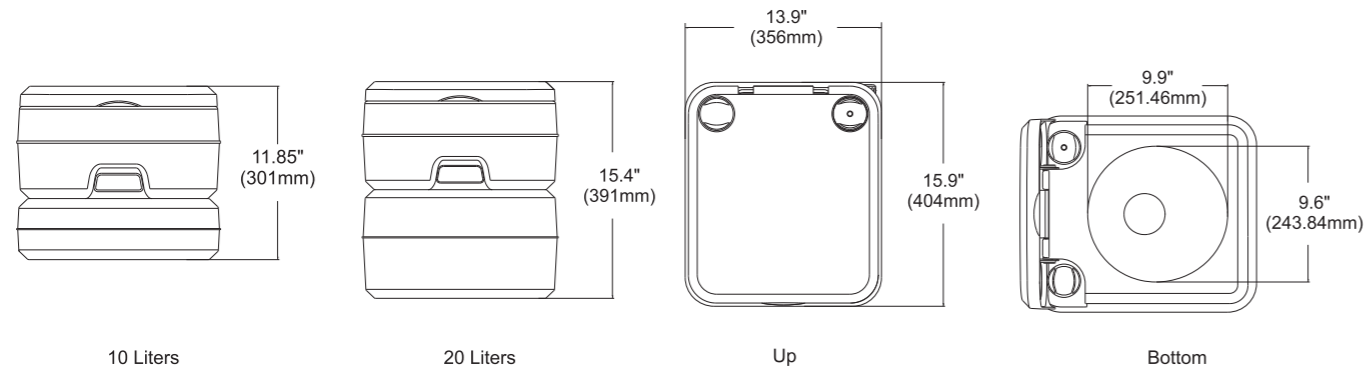
Grasper

Hand Pump

Handle Of Waste Water Valve

Waste Water Valve

Sewage Drain Outlet



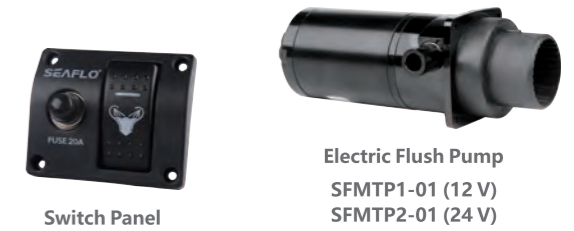
Model	Fresh water tank	Waste holding tank	Dimension(L*W*H)mm	Color	Material	Package includes
SFPT-10-01	15 L (3.96 Gallon)	10 L (2.64 Gallon)	404*354*301	Grey	PP, PA, HDPE, ABS	1 x Portable Toilet, 1 x Owners' Manual
SFPT-20-01	15 L (3.96 Gallon)	20 L (5.28 Gallon)	404*354*391	Grey	PP, PA, HDPE, ABS	1 x Portable Toilet, 1 x Owners' Manual

ELECTRIC MARINE TOILET

A dual-function pump eliminates the need for hand pumps and dry-bowl valves. With the push of a button, the self-priming flush pump rinses the bowl as the Macerator and high-capacity scavenger pump grind up waste and pump it out. Includes a heavy-duty push button and 1" discharge hose adapter. Easy-to-clean ceramic bowl.

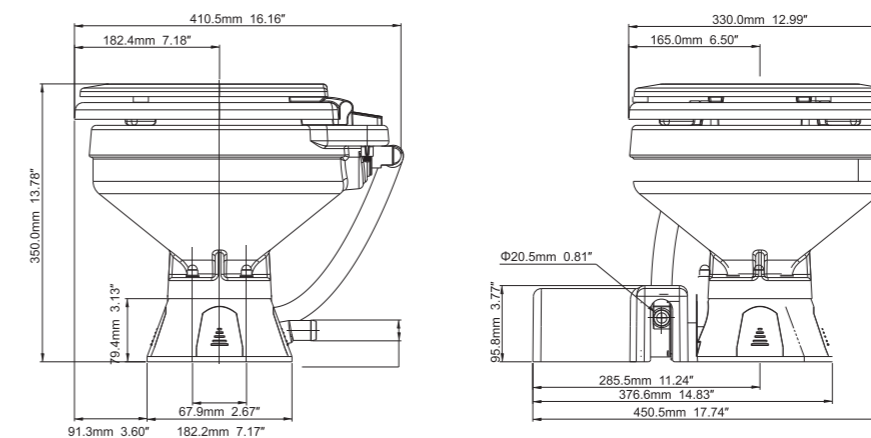
FEATURES & BENEFITS

- Convenient push-button flush
- Easy-to-clean ceramic bowl
- Includes heavy-duty push button and 1" discharge hose adapter
- Flexible Impeller Flush Pump
- Permanent Magnet Type Motor, Fully Enclosed, with Stainless Steel Shaft
- Built-in Back Flow Preventer
- All Corrosion Resistant Material for Marine Use



Switch Panel

Electric Flush Pump
SFMTP1-01 (12 V)
SFMTP2-01 (24 V)



Model	Color	Features	Voltage	Max Draw	Diameter	Size	Type	Material
SFME1-01	White	Built In Macerator	12 V	20 A	3/4" Inlet 1" Discharge	Household	Electric Impeller	Ceramic bowl, wood seat with baked enamel finish
SFME2-01	White	Built In Macerator	24 V	10 A	3/4" Inlet 1" Discharge	Household	Electric Impeller	Ceramic bowl, wood seat with baked enamel finish



Color Box

NEW



Color Box

NEW



ELECTRIC CONVERSION MARINE TOILET

The Electric flush pump provides the convenience of an electric head without having to modify the platform or replace the head. The self-priming pump rinses the bowl while the waste pump macerates and evacuates the waste. Add the luxury of an electric head without the costly replacement and hassle by converting your existing toilet with an electric flush kit.

FEATURES & BENEFITS

- Converts manual head to electric operation
- Simple to operate
- Suitable for use in above or below waterline installations
- Built-in macerator with stainless steel chopper plate
- Fits standard and regular bowl, left and right-handed installations



Electric Flush Pump
SFMTP1-02 (12 V)
SFMTP2-02 (24 V)

MANUALLY OPERATED MARINE TOILET

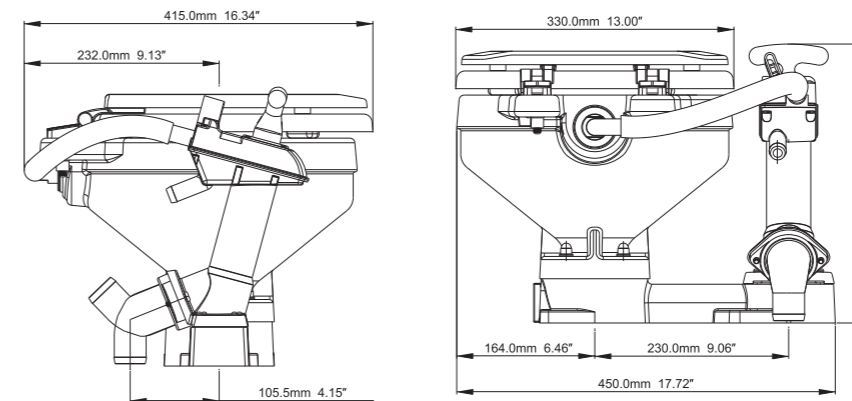
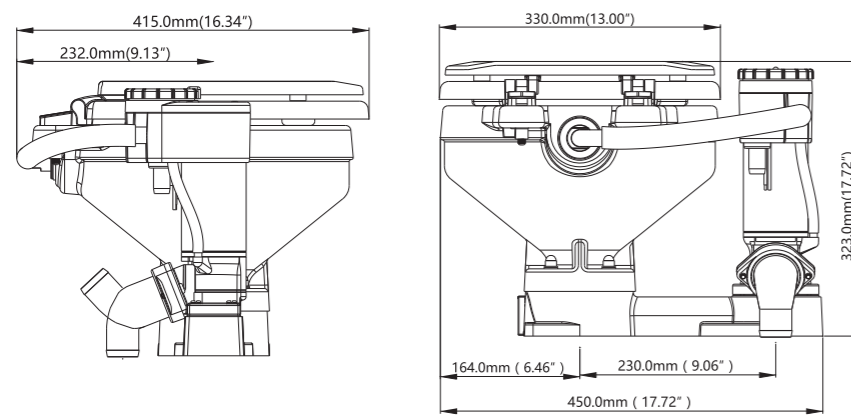
SEAFLO Manually Operated Marine Toilet can be installed in both power and sailing craft, either above or below the waterline, for use on sea, river, lake or canal. Your installation may discharge the waste either overboard (provided that your national and local regulations allow this), or into a treatment system or into an on-board holding tank (U.S.C.G. Marine Sanitation Devices Type I, II and III).

FEATURES & BENEFITS

- Twist 'n' Lock safety handle and flush control lever.
- Powerful swirl action for efficient flushing.
- Powerful Self-priming pump for above or below waterline installation.
- Crevice free contours and smooth mouldings for added hygiene.
- Full sized external seal housing allows quick clean seal replacement and instant access to pump cylinder.
- Automatic vacuum breaker for easier pumping.
- Angled pump housing and long stroke for ease of installation.



Hand Flush Pump
SFMTP-03



Model	Color	Features	Max Draw	Diameter	Size	Type	Material
SFMTE1-02	White	Built In Macerator	24 A	3/4" Inlet 1 1/2" Discharge	Compact	12 Volt Electric Impeller	Ceramic bowl, wood seat with baked enamel finish
SFMTE2-02	White	Built In Macerator	13 A	3/4" Inlet 1 1/2" Discharge	Compact	24 Volt Electric Impeller	Ceramic bowl, wood seat with baked enamel finish

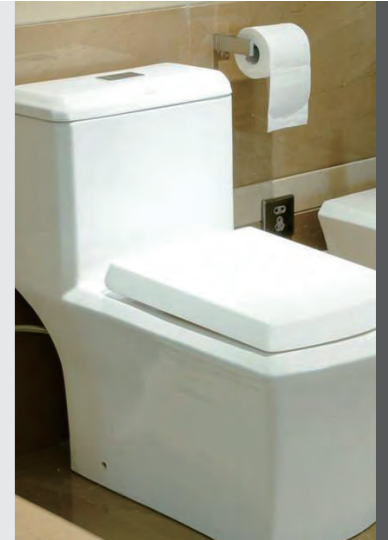
Model	Color	Diameter	Size	Type	Material
SFMTE1-02	White	3/4" Inlet 1 1/2" Discharge	Compact	Manual Piston	Ceramic bowl, wood seat with baked enamel finish



Color Box



Color Box



MACERATOR PUMP 01 SERIES

FEATURES & BENEFITS

- Completely new design
- Sealed motor
- Easy reach knob in case of clogs
- Run Dry for short periods of time
- New 4-blade design
- Thermally Protected
- Ignition Protected

PUMP

Liquid Temperature

140 °F (60 °C) Max.

Power

12 amps max current draw

Weight

4.9 lbs (2.24 kg)

Inlet/Outlet Ports

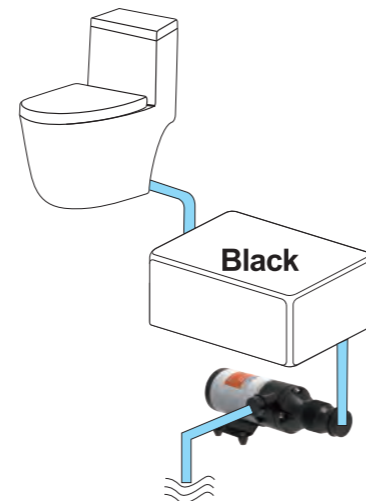
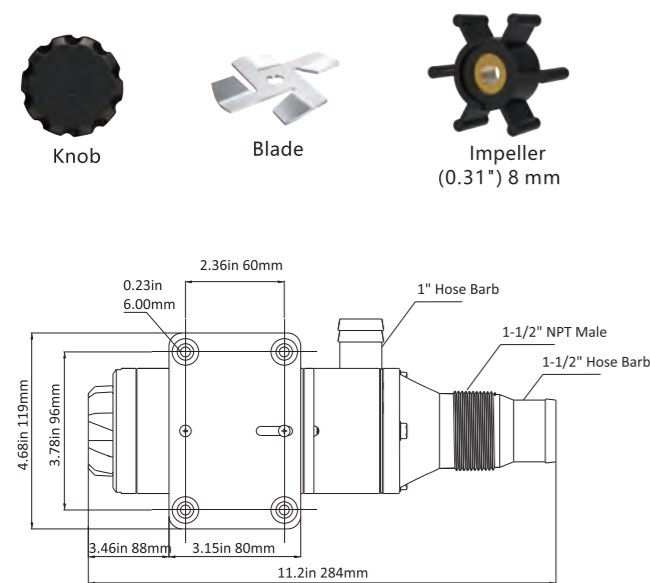
Inlet:

1.5" (39 mm) Hose Barb

1.5" (39 mm) Threaded Fitting

Outlet:

1" Hose Barb



STANDARD PUMP CONFIGURATIONS

Model	Voltage	GPM/LPM	Impeller	Ports	Lead	Molded	MaxDraw(A)
SFMP1-120-01	12 V	12/45.0	Rubber & Aluminum	Inlet 1-1/2" Barb/1-1/2" NPT Outlet 1" Barb	Yes	N/A	12.0
SFMP2-120-01	24 V	12/45.0	Rubber & Aluminum	Inlet 1-1/2" Barb/1-1/2" NPT Outlet 1" Barb	Yes	N/A	6.0

MACERATOR PUMP 02 SERIES

FEATURES & BENEFITS

- Fresh water rinse capabilities
- Connects directly to the RV waste outlet
- Impeller can be loosened with an end back knob
- Ability to dump longer distances
- Easy clean up and storage
- New four blades for reducing clogging
- With manual blending function for emergency

PUMP

Liquid Temperature

140 °F (60 °C) Max.

Power

12 amps max current draw

Weight

5.1 lbs (2.3 kg)

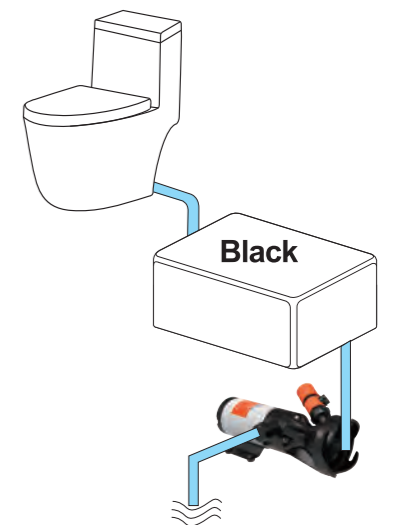
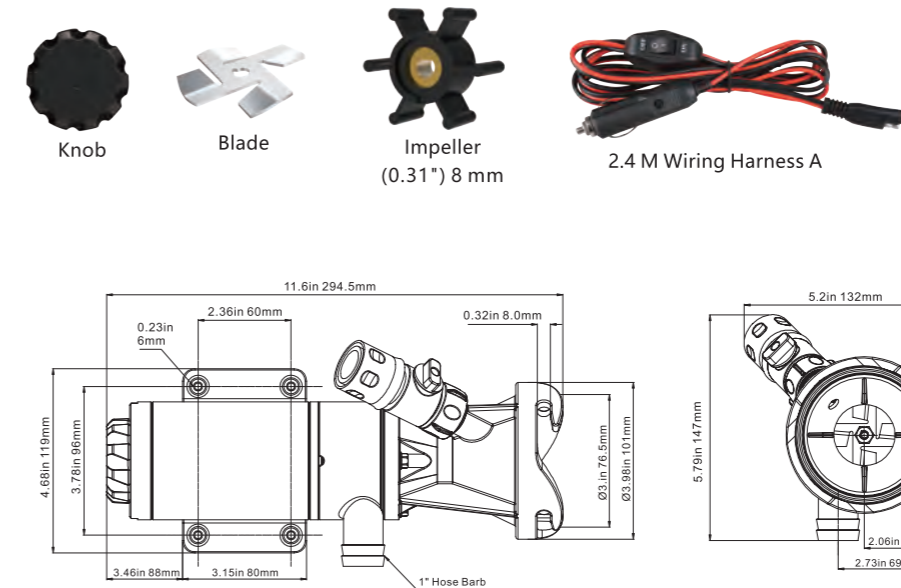
Inlet/Outlet Ports

Inlet:

3" (75 mm) RV Connector

Outlet:

1" Hose Barb



STANDARD PUMP CONFIGURATIONS

Model	Voltage	GPM/LPM	Impeller	Ports	MaxDraw(A)
SFMP1-120-02	12 V	12/45.0	Rubber & Coppe	3" (75 mm) RV Connector 1" Hose Barb	12.0
SFMP2-120-02	24 V	12/45.0	Rubber & Coppe	3" (75 mm) RV Connector 1" Hose Barb	7.0



Color Box



Color Box



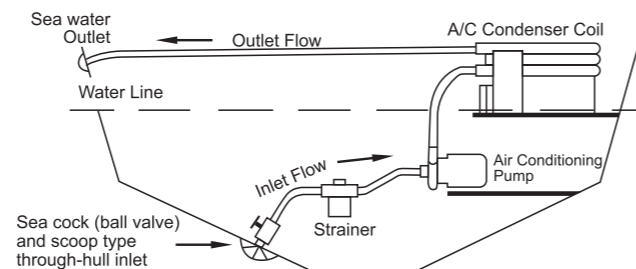
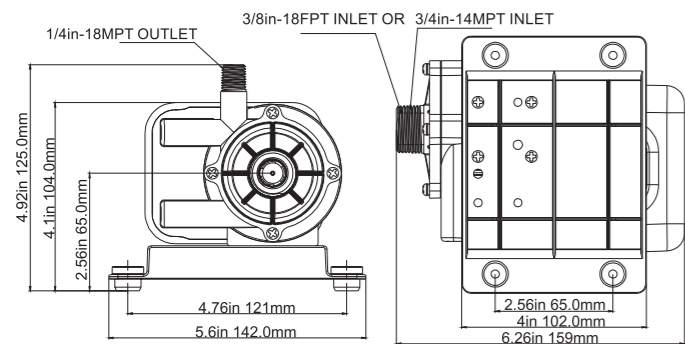
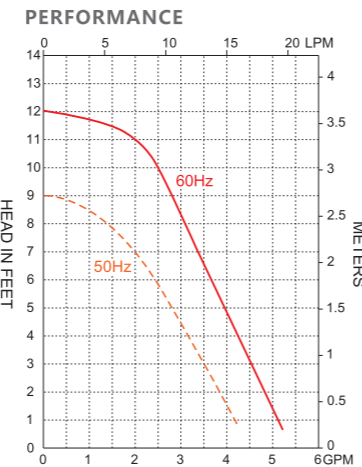
AIR CONDITIONING PUMP 250 GPH

FEATURES & BENEFITS

- For use with AC system up to 12,000 BTU
- More than 10,000 hours lifetime
- 5 GPM seawater circulation pump
- Run dry safe for normal workloads
- Continuous duty
- Replaces any brand marine air conditioning pump

PUMP

Liquid
130 °F (54 °C) Max.
Inlet/Outlet Ports
Inlet:
3/8" NPT & 3/4" NPT
Outlet:
1/4" NPT



STANDARD PUMP CONFIGURATIONS

Model	SFCPA1-G250-01		SFCPA2-G250-01	
	115 V		230 V	
Voltage	115 V		230 V	
Frequency	60 Hz	50 Hz	60 Hz	50 Hz
Flow Rate	5 GPM	18.5 LPM	5 GPM	18.5 LPM
Head	13 ft / 5.7 psi	2.7 m	13 ft / 5.7 psi	2.7 m
Power	56 W	58 W	55 W	55 W
Amps Draw	0.99 A	1.1 A	0.50 A	0.56 A

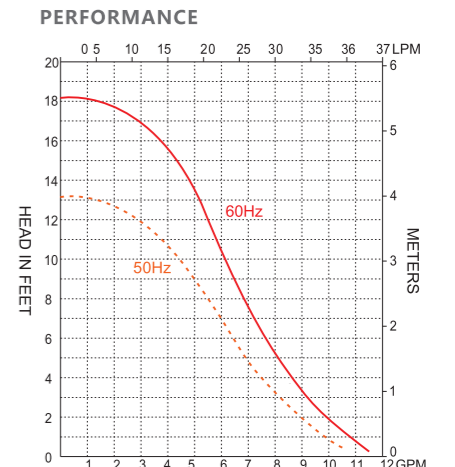
AIR CONDITIONING PUMP 500 GPH

FEATURES & BENEFITS

- For use with AC system up to 12,000 BTU
- More than 10,000 hours lifetime
- 8.5 GPM seawater circulation pump
- Run dry safe for normal workloads
- Continuous duty
- Replaces any brand marine air conditioning pump

PUMP

Liquid
130 °F (54 °C) Max.
Inlet/Outlet Ports
Inlet:
3/4" FPT
Outlet:
1/2" MPT





Color Box



Color Box



GEAR PUMPS

FEATURES & BENEFITS

- Perfect for pumping oil
- Metal pump head
- Metal gears
- Sealed Motor Design
- Thermally Protected Motor
- Self-priming
- Stainless Steel Shaft

TYPICAL APPLICATIONS

- Extreme duty
- Transmission fluid transfer
- Lubricant and viscous liquid transfer
- Industrial use
- Oil change pump

PUMP

- Liquid Temperature**
140 °F (60 °C) Max.
- Priming Capabilities**
Not needed flooded suction
- Power**
10 amps max current draw
- Max Pressure**
Not needed
- Inlet/Outlet Ports**
3/8" FNPT (9.52 mm) thread fitting
- Weight**
5.46 lbs (2.48 kg)

MOTOR

- Type**
High quality seamless design that is thermally protected
- Leads**
Wire leads
- Temperature Limits**
140 °F (60 °C) Max.
- Duty Cycle**
Intermittent
- Voltage**
12 V/24 V

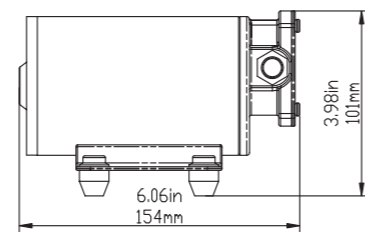
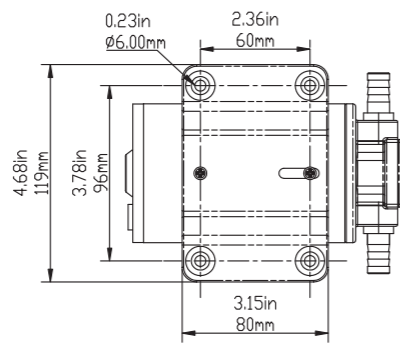
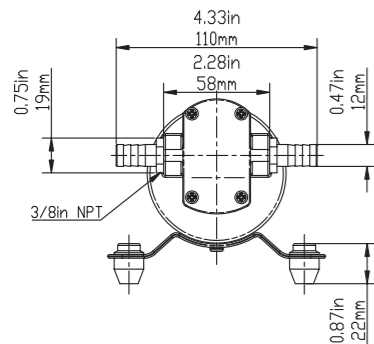


Gear

Standard Accessories



GPF001 GPF001
3/8" MNPT x 1/2" Barb



STANDARD PUMP CONFIGURATIONS

Model	Voltage	GPM/LPM	Impeller	Ports	Lead	Molded	Max Draw(A)
SFGP1-032-003-01	12 V	3.2/12.0	copper	3/8" FNPT	Yes	N/A	10
SFGP2-032-003-01	24 V	3.2/12.0	copper	3/8" FNPT	Yes	N/A	6

SELF-PRIMING BILGE PUMPS

FEATURES & BENEFITS

- Sealed motor design
- Thermally Protected Motor
- High Quality Efficient Motor
- Self-priming
- Stainless Steel Shaft
- Great for bilge water that traditional pumps cannot get to

TYPICAL APPLICATIONS

- Bilge pump
- Industrial use
- Water transfer

PUMP

- Liquid Temperature**
140 °F (60 °C) Max.
- Priming Capabilities**
4 feet (1.2 m) suction lift
- Power**
10 amps max current draw
- Max Pressure**
3 m (9.8 ft)
- Inlet/Outlet Ports**
1/2" FNPT (19 mm)
- Weight**
5.46 lbs (2.48 kg)

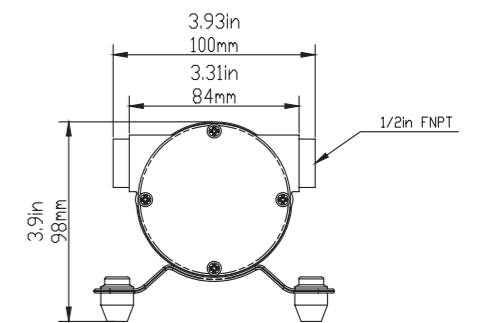
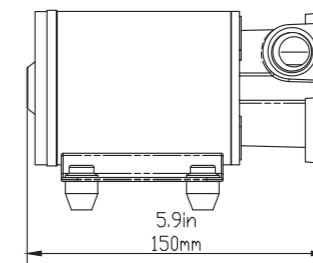
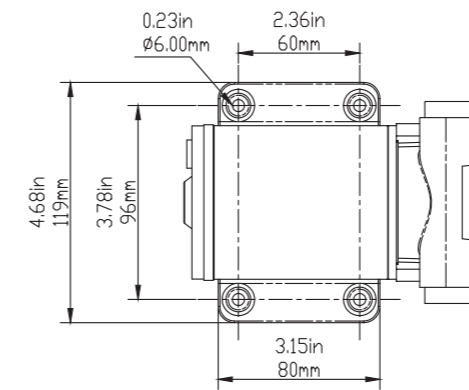
MOTOR

- Type**
High quality seamless design that is thermally protected
- Leads**
Wire leads
- Duty Cycle**
Intermittent
- Voltage**
12 V/24 V

Standard Accessories



Impeller
(0.31") 8 mm



STANDARD PUMP CONFIGURATIONS

Model	Voltage	GPM/LPM	Impeller	Ports	Lead	Molded	Max Draw(A)
SFSP1-080-003-01	12 V	8.0/30.0	Rubber & copper	1/2" FNPT	Yes	N/A	10.0
SFSP2-080-003-01	24 V	8.0/30.0	Rubber & copper	1/2" FNPT	Yes	N/A	7.0

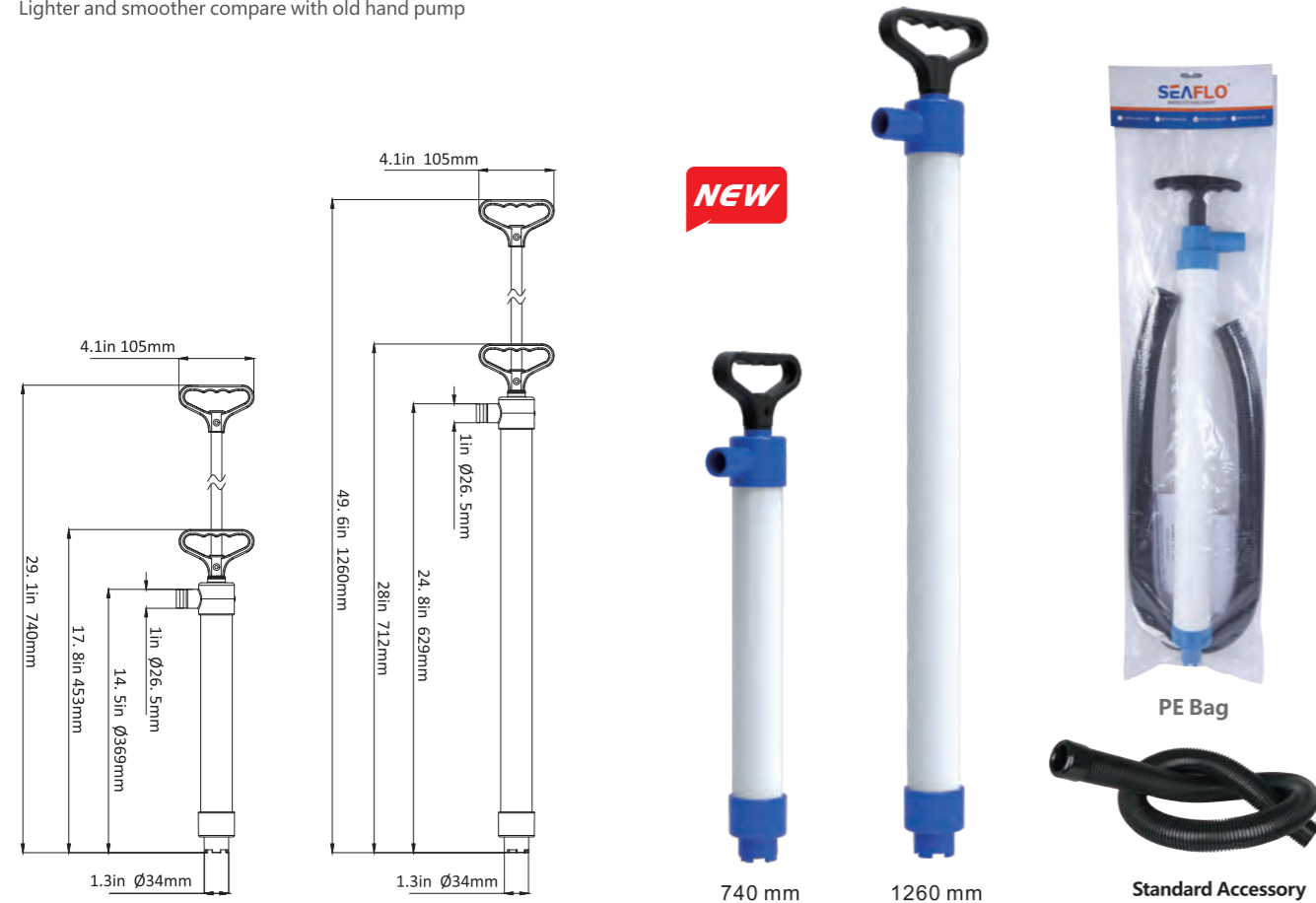
PISTON HAND PUMPS

FEATURES & BENEFITS

- Portable design - lightweight
- Ease of use - versatile flexible outlet pipe
- Ready to pump - 1.3"/34 mm hose no fittings or plumbing required
- Ease of operation - simple handle plunger
- Suitable for bilge water or diesel transfer
- Available in two barrel lengths 369 mm (14.5") or 629 mm (24.8")
- Lighter and smoother compare with old hand pump

TYPICAL APPLICATIONS

- Marine
- Kayaks & Canoes
- RV & Campers
- Industrial



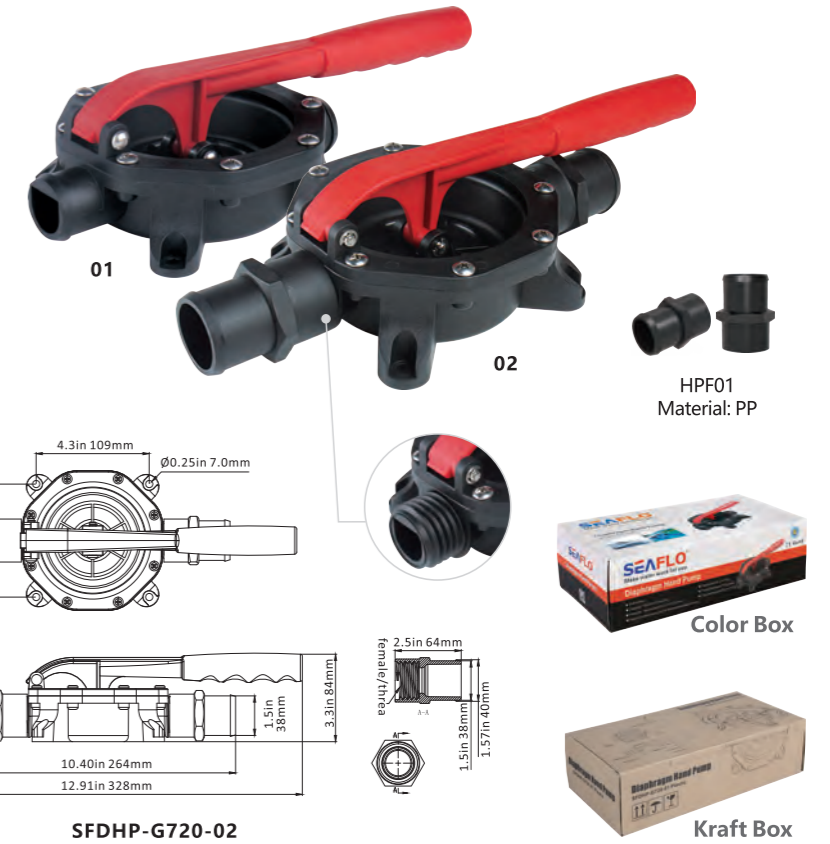
STANDARD PUMP CONFIGURATIONS

	Long Barrel Version	Short Barrel Version
Product Code	SFPH-H1260-01/02	SFPH-H740-01/02
Hose Connections	34mm(1.3") Hose Connections	34 mm (1.3") Hose Connections
Weight	1.14 lbs (0.52 kg)	0.93 lbs (0.42 kg)
Materials	Pump body: PVC, Valve: EPDM	Pump body: PVC, Valve: EPDM
Materials In Contact with Fluid	PVC, EPDM	PVC, EPDM
Suction Lift	1 m (3ft)	1 m (3ft)
Discharge Head	0.5 m (1.5ft)	0.5 m (1.5ft)
45 Strokes per Minute	27 ltrs (7.1 US gals)	15.8 ltrs (4.2 US gals)
70 Strokes per Minute	42 ltrs (11.1 US gals)	24.5 ltrs (6.5 US gals)

DIAPHRAGM HAND PUMPS

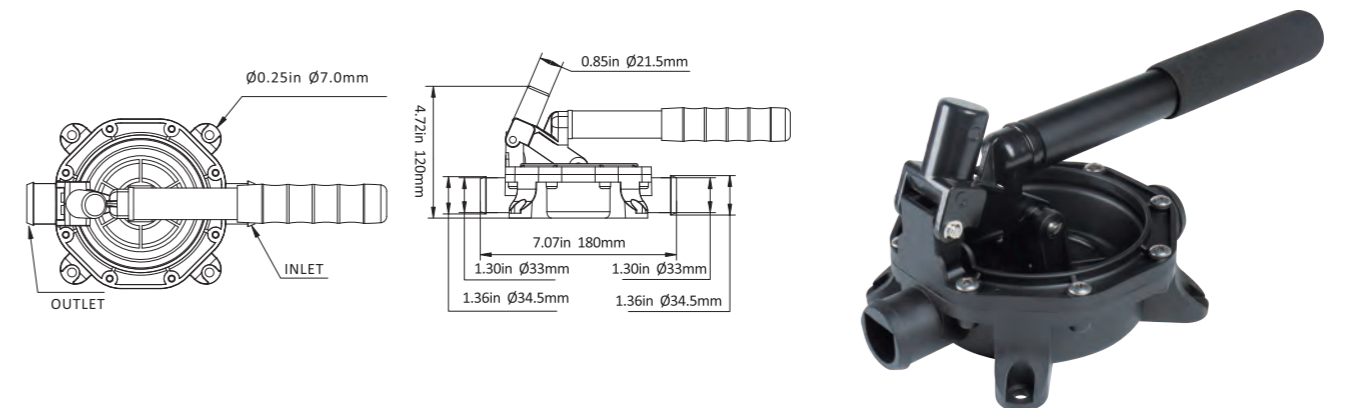
FEATURES & BENEFITS

- Proven design - tough yet lightweight polypropylene materials
- Versatility of installation
- Simple plumbing- 1-1/4" (34 mm) smooth hose connection
- Ease of operation - molded grip handle
- Easy maintenance - easy remove diaphragm
- Secure fit - robust molded base
- Compact design - ideal for confined spaces
- Reliable performance - U-shaped outlet valve
- Efficient performance - up to 5.3 Gallons Per Minute



STANDARD PUMP CONFIGURATIONS

	Plastic hand pump	Plastic hand pump
Product Code	SFDHP-G720-01	SFDHP-G720-02
Hose Connections	34.5 mm (1.36") Hose Connections	38.1 mm (1.5")Hose Connections
Weight	0.99 lbs (0.45 kg)	0.54 kg (1.19 lbs)
Materials	Pump Body: Glass-filled Polyporpylene, Diaphragm: EPDM, Fasteners: Stainless Steel	Pump Body: Glass-filled Polypropylene, Diaphragm: EPDM, Fasteners: Stainless Steel
Materials On Contact with Fluid	Glass-filled Polyporpylene, EPDM, Stainless Steel	Glass-filled Polypropylene, EPDM, Stainless Steel



STANDARD PUMP CONFIGURATIONS

	Aluminum hand pump
Product Code	SFDHA-G720-01
Hose Connections	34.5 mm (1.36") Hose Connections
Weight	1.25 lbs (0.57 kg)
Materials	Pump Body: Glass-filled Polyporpylene, Diaphragm: EPDM, Fasteners: Stainless Steel
Materials On Contact with Fluid	Glass-filled Polyporpylene, EPDM, Stainless Steel





Color Box

130 CFM

270 CFM



Color Box

145 CFM

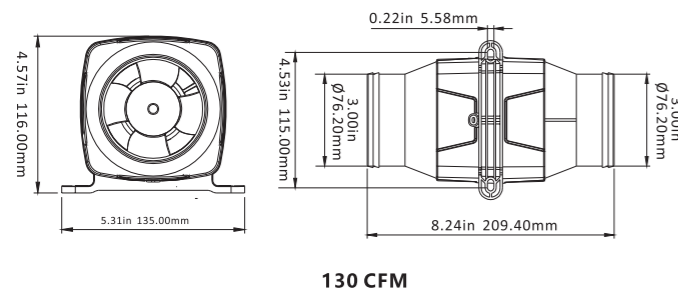
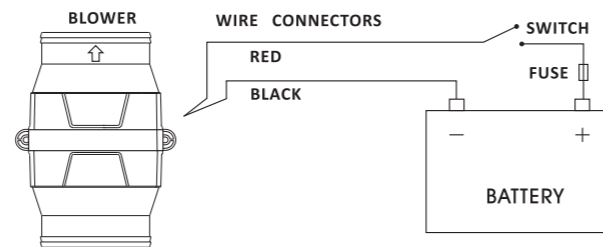
235 CFM



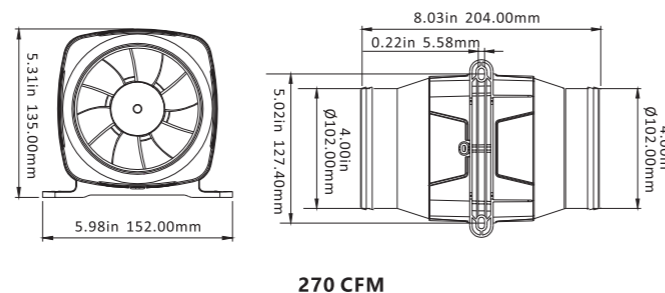
IN-LINE BLOWERS 01/02 SERIES

FEATURES & BENEFITS

- Meets or exceeds ISO 8846 certification
- Built-in mounting feet allows easy vertical or horizontal installation
- Very low current draw, high volume air flow, long life
- Four/Six-blade fan maximizes airflow and efficiency
- Sealed motor shaft for moisture protection
- Corrosion resistant ABS plastic housing



130 CFM



270 CFM

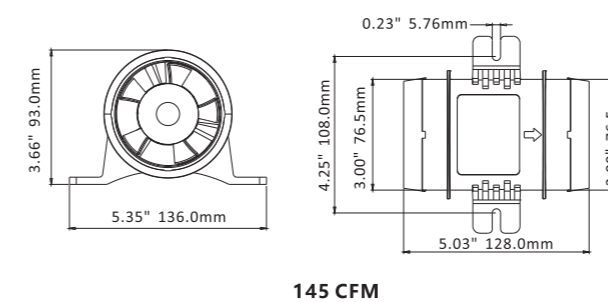
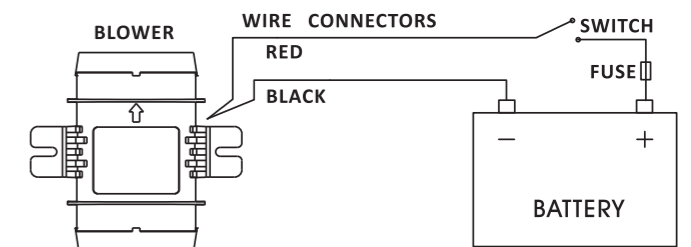
Technical Date

Model	Volts(V)	Air Flow(cfm/cmh)	Amp Draw(A)	Fuse (A)	Intake Pipe Dia	Packing Size(mm)	N.W./G.W. (kg)
SFIB1-130-01	12V	130/220	2.5A	5.0A	3" / 76 mm	215*137*120	0.45/0.60 kg
SFIB2-130-01	24V	130/220	1.3A	3.0A	3" / 76 mm	215*137*120	0.45/0.60 kg
SFIB1-270-02	12V	270/456	6.0A	10.0A	4" / 102 mm	207*154*114	0.70/0.90 kg
SFIB2-270-02	24V	270/456	3.0A	5.0A	4" / 102 mm	207*154*114	0.70/0.90 kg

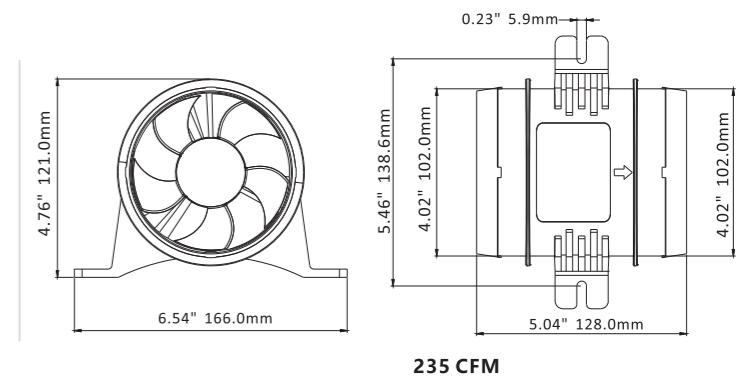
IN-LINE BLOWERS 03/04 SERIES

FEATURES & BENEFITS

- Meets or exceeds ISO 8846 certification
- Built-in mounting feet allows easy vertical or horizontal installation
- Very low current draw, high volume air flow, long life
- Five blade fan maximizes airflow and efficiency
- Sealed motor shaft for moisture protection
- Corrosion resistant ABS plastic housing
- Smaller size for any limited area



145 CFM



235 CFM

Technical Date

Model	Volts	Air Flow (cfm/cmh)	Amp Draw(A)	Fuse (A)	Intake Pipe Dia	Packing Size(mm)
SFIB1-145-03	12 V	145/247	3.0	5.0	3" / 76 mm	140*133*95
SFIB2-145-03	24 V	145/247	1.5	2.5	3" / 76 mm	140*133*95
SFIB1-235-04	12 V	235/400	4.0	7.0	4" / 102 mm	170*133*123
SFIB2-235-04	24 V	235/400	2.0	4.0	4" / 102 mm	170*133*123



Color Box



Color Box

02

03



BILGE BLOWERS 01 SERIES

FEATURES & BENEFITS

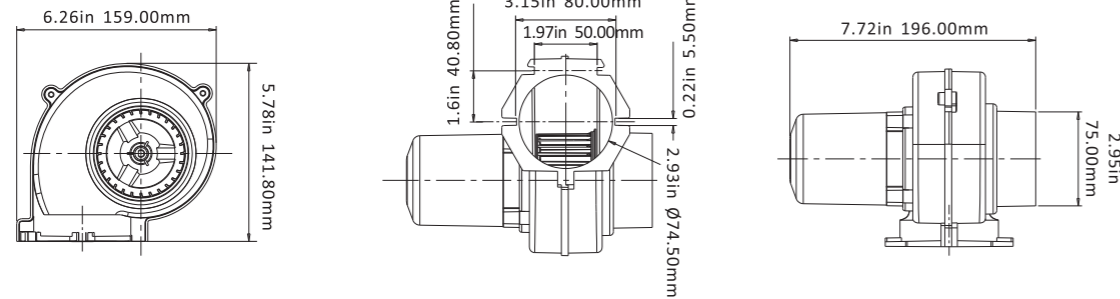
- Dual Mounting Options
- Efficient high volume air flow
- Very low current draw, long life
- Flex Mount or Flange Mount
- Sealed motor shaft for moisture protection
- Corrosion resistant ABS plastic housing
- Ignition protected

CE conforms with EN 50014-1, EN N 61000-3-3

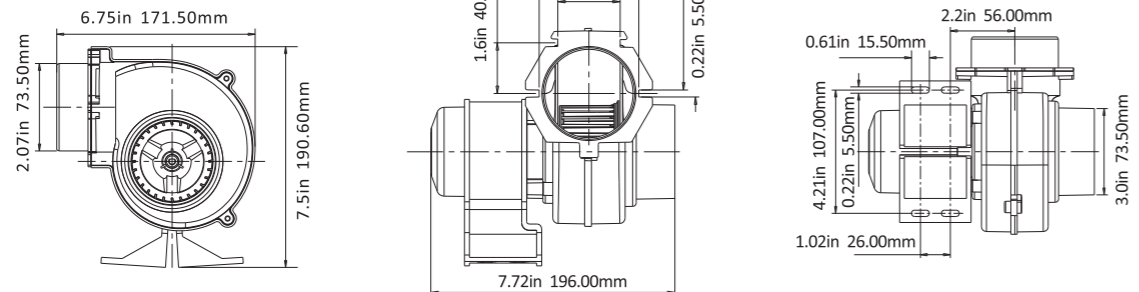
TYPICAL APPLICATIONS

- Boats bilge ventilation
- Engine compartments
- Galleys and heads

Flange Mount



Flex Mount



Technical Date

Model	Volts	Air Flow (cfm/cmh)	Amp Draw(A)	Fuse (A)	Packing Size(mm)	N.W./G.W. (kg)
SFBB1-130-01	12 V	130/220	2.5	5	160*160*200	0.71/0.83
SFBB2-130-01	24 V	130/220	1.5	3	160*160*200	0.71/0.83

BILGE BLOWERS 02/03 SERIES

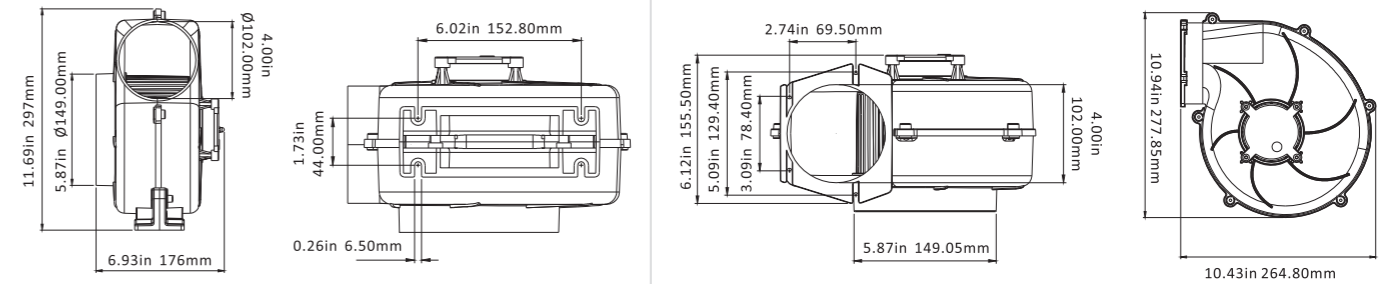
FEATURES & BENEFITS

- Efficient high volume air flow
- Very low current draw, long life
- Available in either Flex Mount or Flange Mount
- Sealed motor shaft for moisture protection
- Corrosion resistant ABS plastic housing
- Ignition protected

CE conforms with EN 50014-1, EN N 61000-3-3

TYPICAL APPLICATIONS

- Boats bilge ventilation
- Engine compartments
- Galleys and heads
- Bus ventilation (engine and bathroom fumes)



Flex Mount-02

The flex mount is when the motor mounting bracket is used to secure to blower, hose would have to be connected to both the inlet and outlet.

Flange Mount-03

The flange mount is when the blower is mounted using the outlet mounting flange to secure the pump.

Technical Date

Model	Volts	Air Flow (cfm/cmh)	Amp Draw(A)	Fuse (A)	Packing Size(mm)	N.W./G.W. (kg)
SFBB1-320-02	12 V	320/550	11.0	16.0	300*270*280	2.27/2.45
SFBB2-320-02	24 V	320/550	6.0	10.0	300*270*280	2.27/2.45
SFBB1-320-03	12 V	320/550	11.0	16.0	300*270*280	2.46/2.56
SFBB2-320-03	24 V	320/550	6.0	10.0	300*270*280	2.46/2.56



Color Box



Color Box



BATTERY ISOLATOR SWITCH

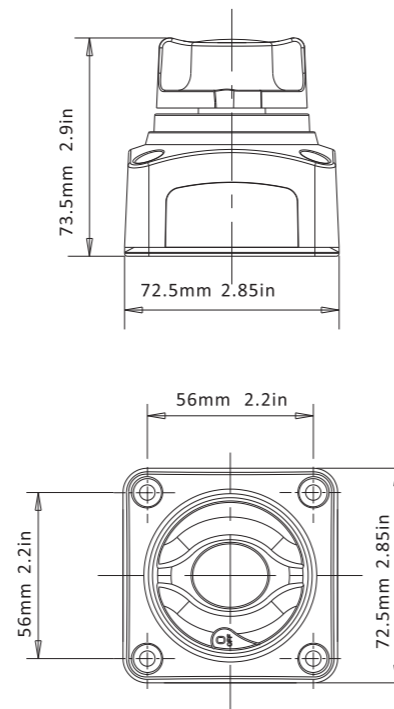
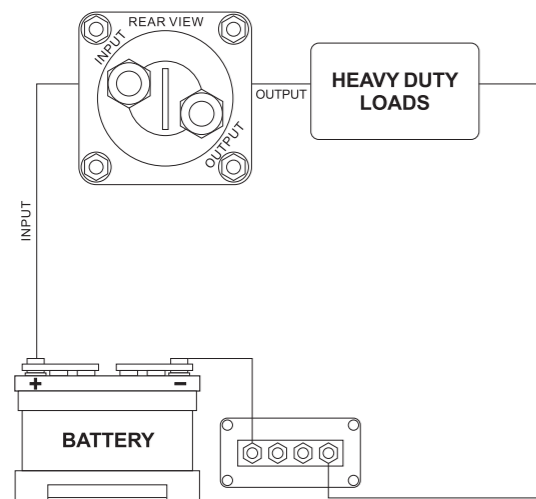
FEATURES & BENEFITS

An interchangeable labeling system allowing a full range of applications.

Removable side plates on 4 sides for access of up to 1/0 cables plus a rear cover insulating the rear terminals against any short circuits.

ABS Anti-aging, Anti-ultraviolet.

May be connected to either the positive or the negative electric cable.



Model	Max.Volt	Amp Draw(A)	Max Amp Draw(A)	Switch Position	Packing Size	N.W./G.W.
SFCBS-275-201	50 V	275	1250	2	78*78*80 mm	0.20/0.30 kg

BATTERY SELECTOR SWITCH

FEATURES & BENEFITS

The selector switch will allow the use of one battery for engine starting and one battery for auxiliary electrical equipment.

Batteries may be placed in parallel by switching to (BOTH) for emergency usage

Small in size, Fine appearance, Sturdy and durable

3/8" -16 tin-plated copper studs for maximum conductivity and corrosion

resistance Can be installed in any position

175A continuous duty at DC-12V

300A intermittent duty at DC-12V

Suitable for 6V, 12V, 24V and 32V ship's supply system

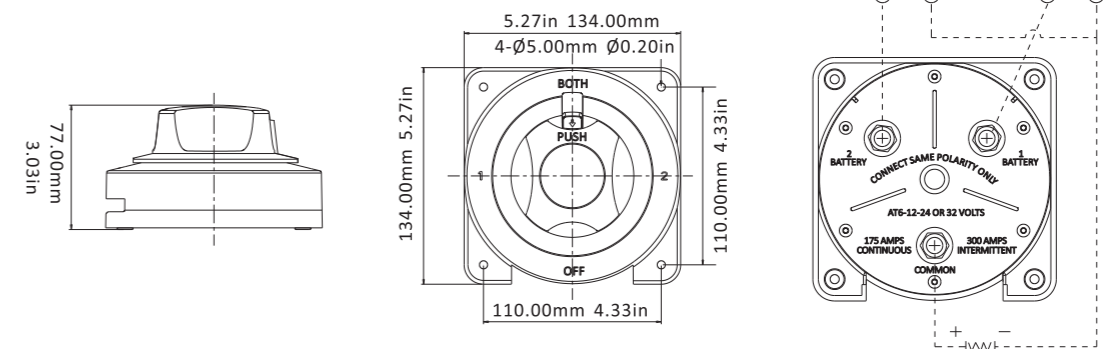
4 POSITIONS

OFF - Complete disconnect of both batteries or banks of batteries

1- Operation of No.1 battery only

2- Operation of No.2 battery only

BOTH- Operation of both batteries and banks of batteries



Technical Data

Model	SFCBS-175-402
Max.Volt (V)	6-12-24-32
Amp Draw (A)	175
Max Amp Draw (A)	300
Switch Position	3
Packing Size	140*140*85 mm
N.W./G.W.	0.45/0.65 kg

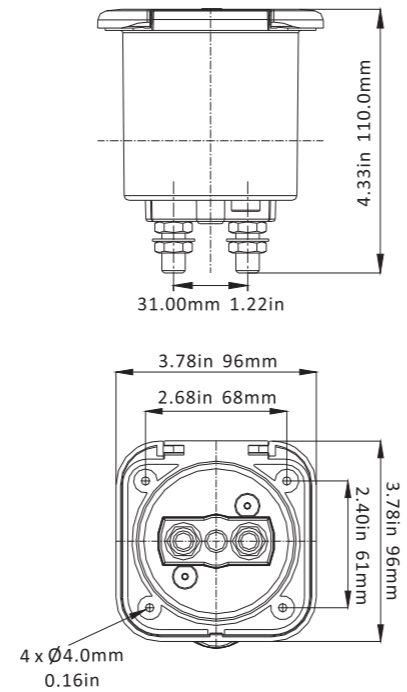
BATTERY ISOLATOR SWITCH

FEATURES & BENEFITS

An interchangeable labeling system allowing a full range of applications.
 ABS Anti-aging, Anti-ultraviolet.
 May be connected to either the positive or the negative electric cable.
 In the "OFF" position the key may be removed. (SFBS1-01 only)
 Small in size, Fine appearance, Sturdy and durable.



Kraft Box

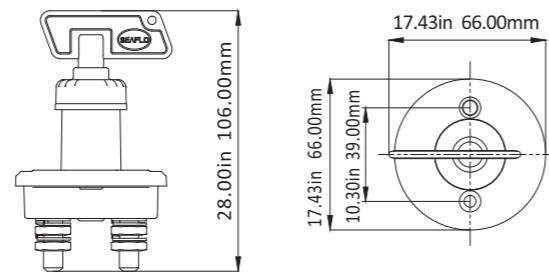


PRODUCT SPECIFICATIONS

Model	Voltage	Amps Draw(A)	Max Amp Draw(A)	N.W.	Working Tempure°C	Package
SFBIS1-01	50 V	275	1250	0.29 kg	40-80	Kraft Box



PE Bag



PRODUCT SPECIFICATIONS

Model	Voltage	Amps Draw(A)	Max Amp Draw(A)	N.W.	Working Tempure°C	Package
SFBIS2-01	50 V	275	1250	0.15 kg	40-80	PE Bag

EXTERNAL SHOWER

SEAFLO External Shower Box is made of UV stabilized PP, which is with lock and keys. The box is durable, impact & fade resistant.

FEATURES & BENEFITS

Made of UV stabilized PP
 With lock and keys
 Durable, impact & fade resistant
 Choose from black or white

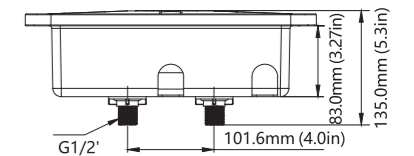
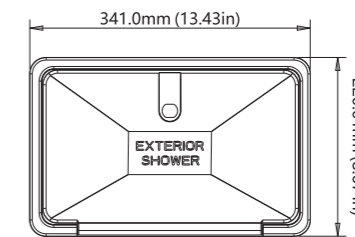
Model	Color
SFES1-01	White
SFES2-01	Black



NEW



Color Box



SHOWER HEAD AND HOSE KIT

FEATURES & BENEFITS

ABS plastic shower head
 1.5 m/5 feet PVC Hose
 Two function spray setting
 UV protected, fade resistant
 With flat gasket
 Compatible to SEAFLO handheld shower kit

Model	Color
SF-SHHK001	White



Blister

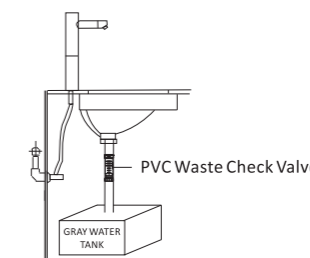
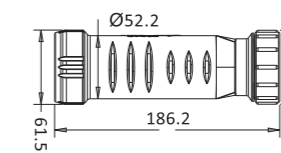
PVC WASTE VALVE

SEAFLO PVC Waste Valve is used on sewer line in kitchen, bath room, washing sink to prevent bad smell come into internal of RV.

FEATURES & BENEFITS

PVC size is 2"
 Vertical mounting position
 EPDM seal for resistance to water and oils
 PVC construction for strength and resistance to corrosion and mild chemicals

Model	Color
SFWV1-01	White
SFWV2-01	Black



NEW

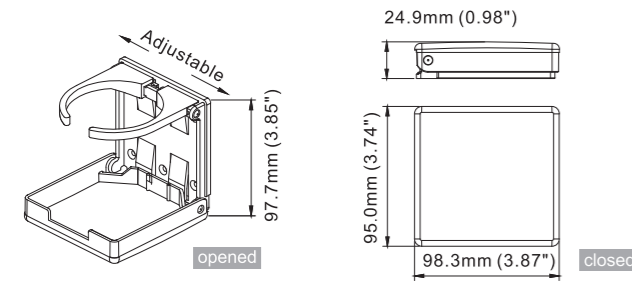


FOLD-UP ADJUSTABLE DRINK HOLDER

SEAFLO Fold-Up Adjustable Drink Holder for RVs, cars, trucks, boats, cans etc, help prevent spills and mounts quickly and easily. This holder features arms that easily adjust to hold almost any size bottle, can or mug. Folds up for compact storage. It easily mounts with tapes or screws.

FEATURES & BENEFITS

- Easily adjust to hold almost any size bottle, can or mug
- Mounts with tapes or screws
- Folds up for compact storage



Model	Size	Color
SFTS1-01	98.3 * 95 * 97.7 mm	White
SFTS2-01	98.3 * 95 * 97.7 mm	Black



NEW



Industry Carton



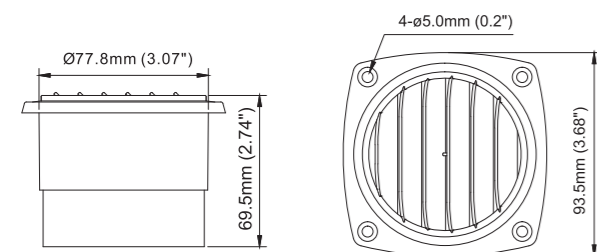
Blister

ROUND LOUVER AIR VENT

SEAFLO Round Louvre air vent is made of high quality ABS, Diameter 77.8 mm, ducting height 69.5 mm, Wall mounted or ceiling mounted, perfect for RV, boat or room exhaust and ventilation use.

FEATURES & BENEFITS

- 69.5 mm Ducting Fitting Size
- High-Quality ABS Plastic
- Simple To Fit
- Designed To Cover Wall Or Ceiling Openings And Ducting Vents



Model	Size	Color
SFAV1-01	63.5 * 93.5 mm	White
SFAV2-01	63.5 * 93.5 mm	Black



NEW



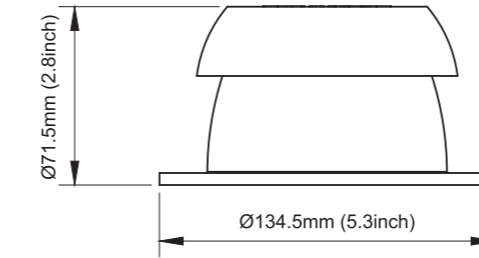
Industry Carton



Blister

PLUMBING VENT

SEAFLO Plumbing Vent is made of PP and it fits up to a 2 inch diameter with 2-1/2 Inch projection vent pipes. A top cap is included, which can be locked on or removed with a twist of the wrist without the need of tools.



Model	Size	Color
SFPV1-01	5.3"*2.8"(134.5 * 71.5 mm)	White
SFPV2-01	5.3"*2.8"(134.5 * 71.5 mm)	Black



NEW



Industry Carton



Blister

VENT COVER

SEAFLO Vent Cover is made of UV stabilized PP, which is very easy to be installed. There are up to two blades that can be adjusted to change the air flow. Also two of blades can be detached to get a largest air flow.

FEATURES & BENEFITS

- Made of UV resistant PP
- Air flow can be adjusted by blades
- Blades are removable
- Easy to install



01

02

Blister



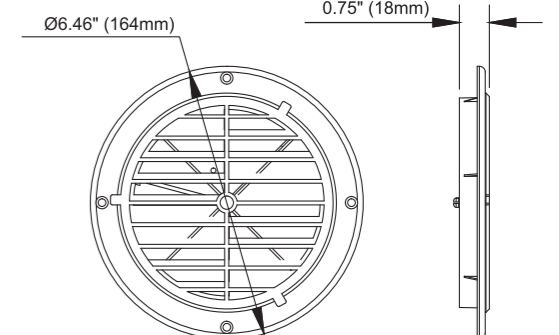
Industry Carton



01



02



Model	Blade	Color
SFVC1-01	0	White
SFVC2-01	0	Black
SFVC1-02	2	White
SFVC2-02	2	Black

WATER INLET

SEAFLO Water Inlet is used for fresh water system and it is constructed with UV stabilized plastic. There are a check valve inside and different model have different features.

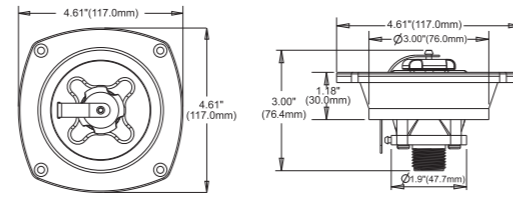
WATER INLET WITH WATER PRESSURE REGULATORS-01

FEATURES & BENEFITS

- Constructed with UV stabilized plastic
- Continuous protection from high pressure surges
- Fits standard hose fittings
- Built in check valve
- Brass pipe threads
- Quick, permanent wall mount installation



NEW



Model	Description	Color
SFWI1-01	Pressure Regulated Water Inlet	White
SFWI2-01	Pressure Regulated Water Inlet	Black

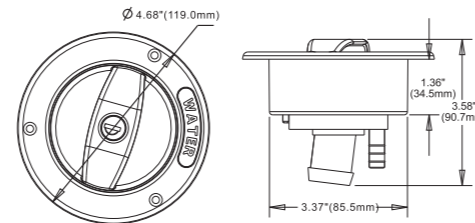
WATER INLET WITH LOCK-02

FEATURES & BENEFITS

- With 2 Keys & Lock
- 1/2" air vent for a fast fill
- Design for filling the water holding tank with gravity
- Constructed with UV stabilized Plastic



NEW



Model	Description	Color
SFWI1-02	Water Inlet With Lock	White
SFWI2-02	Water Inlet With Lock	Black

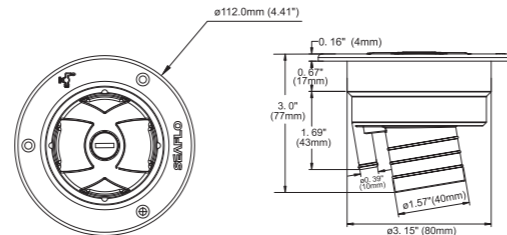
WATER INLET WITH LOCK

FEATURES & BENEFITS

- Anti-aging, Anti-ultraviolet
- 40 mm water diameter for faster water income
- With air hole for smoothly water income
- With lock & keys for easy use



NEW



Model	Description	Color
SFGF1-01	Water Inlet With Lock	White
SFGF2-01	Water Inlet With Lock	Black

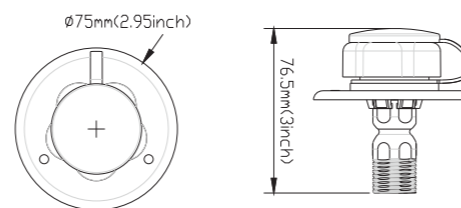
PLASTIC WATER INLET-03

FEATURES & BENEFITS

- Constructed with plastic
- Can fit into SEAFLO water inlet hatch
- 1/2" BSP and G1/2 thread
- Built in check valve



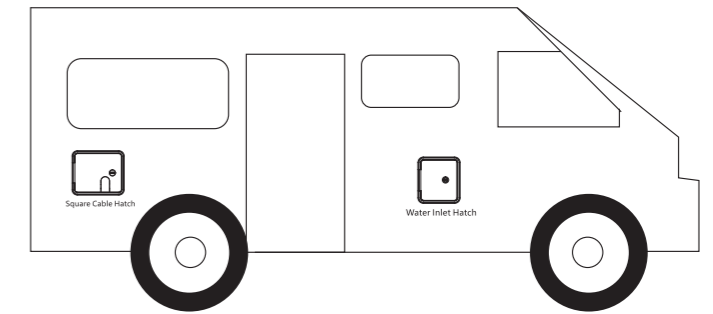
NEW



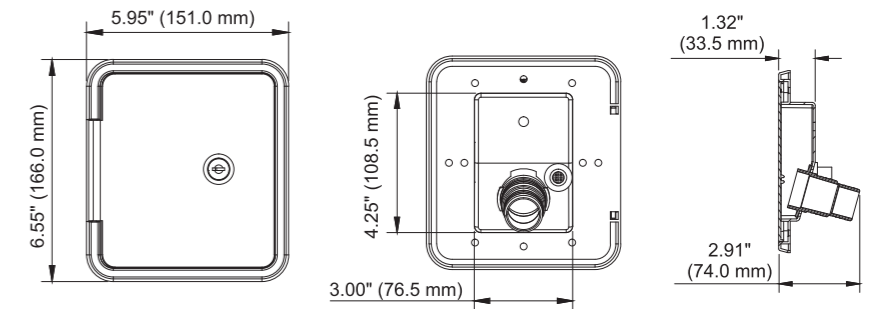
Model	Description	Color
SFWI1-03	Plastic Water Inlet	White

WATER INLET HATCH

SEAFLO Water Inlet Hatch is made of UV stabilized ABS with robust reinforcement. They have a 1/2 inch air vent for a fast fill and lockable hatch with 2 keys. Also installation screw and putty type are included.



NEW

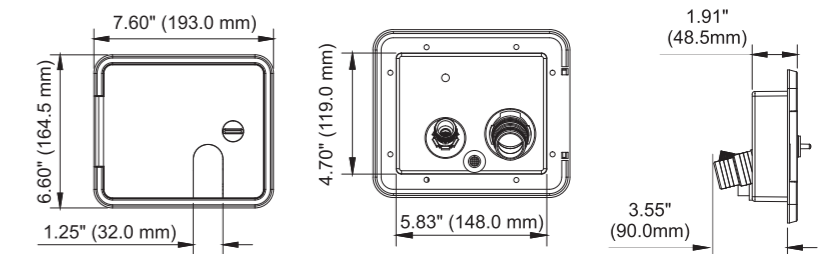


Technical Date

Model	L1(mm)	W1(mm)	L2(mm)	W2(mm)	Color
SFWH1-151-166-01	5.94"(151mm)	6.54"(166mm)	4.27"(108.5mm)	3.01"(76.5mm)	White
SFWH2-151-166-01	5.94"(151mm)	6.54"(166mm)	4.27"(108.5mm)	3.01"(76.5mm)	Black



NEW



Technical Date

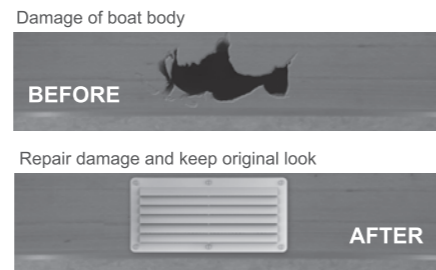
Model	L1(mm)	W1(mm)	L2(mm)	W2(mm)	Color
SFWH1-193-164-02	7.60"(193mm)	6.48"(164.5mm)	5.83"(148mm)	4.69"(119mm)	White
SFWH2-193-164-02	7.60"(193mm)	6.48"(164.5mm)	5.83"(148mm)	4.69"(119mm)	Black

DENT VENT

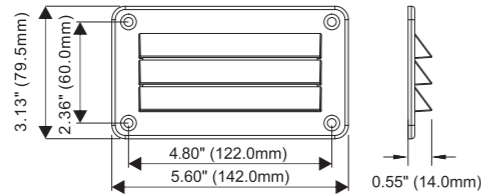
SEAFLO Dent Vent is use for a quick and easy way to repair the minor damage of boat body and keep the original look; which are made of UV stabilized plastic and combine multiple vents to cover larger damage areas.

FEATURES & BENEFITS

- Keep the original look
- Made of UV resistant ABS
- There are 3 sizes available
- A quick and easy way to repair the minor damage of boat body
- Save expensive maintenance costs
- Combine multiple vents to cover larger damage areas



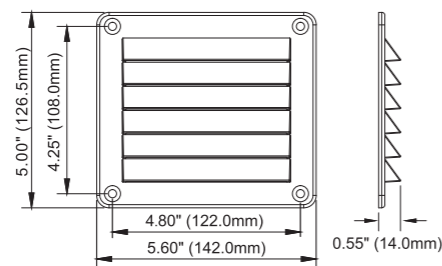
NEW



Blister



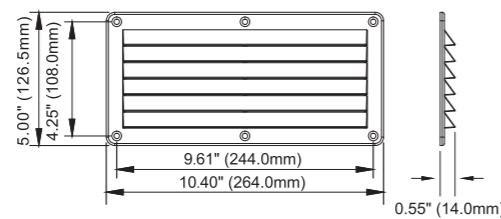
Industry Carton



Blister



Industry Carton



Blister



Industry Carton

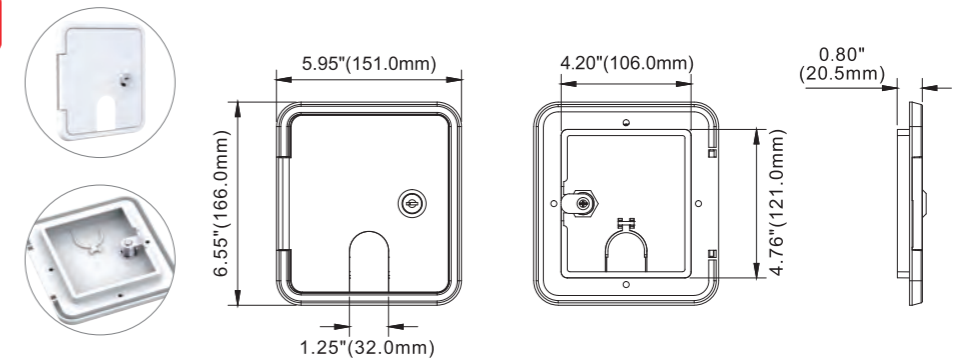
Model	L	H	Color	Model	L	H	Color
SFDV1-140-79-01	5.60\"(142.0 mm)	3.13\"(79.5 mm)	White	SFDV2-140-125-02	5.60\"(142.0 mm)	5.00\"(126.5 mm)	Black
SFDV2-140-79-01	5.60\"(142.0 mm)	3.13\"(79.5 mm)	Black	SFDV1-260-125-03	10.40\"(264.0 mm)	5.00\"(126.5 mm)	White
SFDV1-140-125-02	5.60\"(142.0 mm)	5.00\"(126.5 mm)	White	SFDV2-260-125-03	10.40\"(264.0 mm)	5.00\"(126.5 mm)	Black

SQUARE CABLE HATCH

SEAFLO Square Cable Hatch is for use with RV electrical cables, and it is constructed with UV stabilized ABS. Hatch comes with 2 keys and the hatch door has slide window for door closure while hooked up.



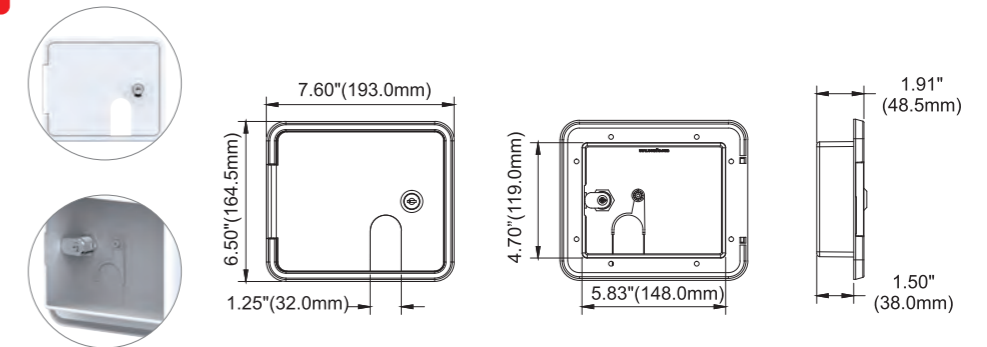
NEW



Model	L1(mm)	W1(mm)	L2(mm)	W2(mm)	Color
SFCH1-151-166-01	5.94\"(151mm)	6.54\"(166mm)	4.17\"(106mm)	4.76\"(121mm)	White
SFCH2-151-166-01	5.94\"(151mm)	6.54\"(166mm)	4.17\"(106mm)	4.76\"(121mm)	Black



NEW



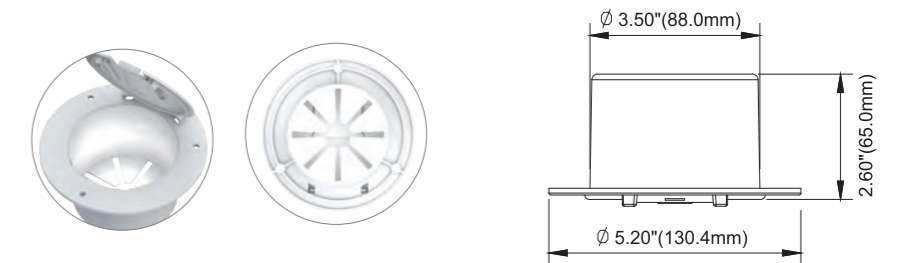
Model	L1(mm)	W1(mm)	L2(mm)	W2(mm)	Color
SFCH1-193-164-02	7.60\"(193mm)	6.48\"(164.5mm)	5.83\"(148mm)	4.69\"(119mm)	White
SFCH2-193-164-02	7.60\"(193mm)	6.48\"(164.5mm)	5.83\"(148mm)	4.69\"(119mm)	Black

ROUND CABLE HATCH

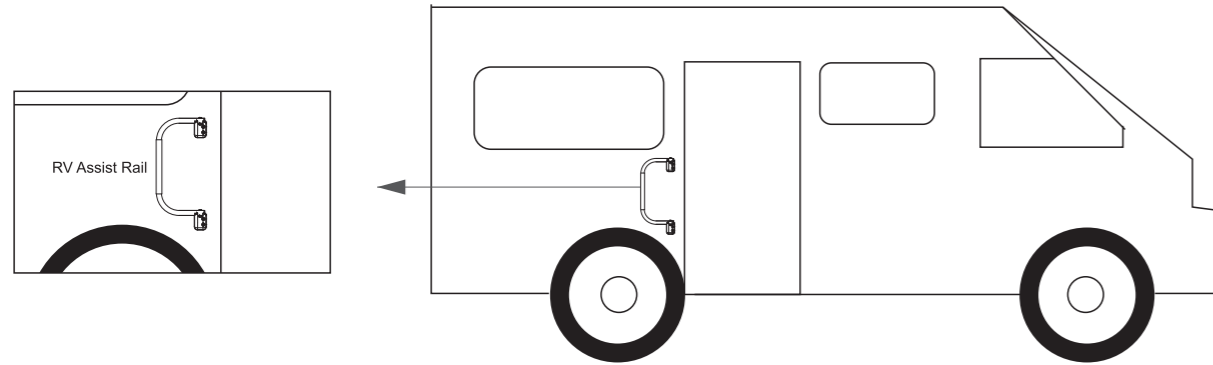
SEAFLO Round Cable Hatch is for use with RV electrical cables, and it is constructed with UV stabilized PP. Its hinge is extra heavy duty. It has a 5.2\" round O.D. flange and a 2.6\" deep cavity to hold the cable end.



NEW



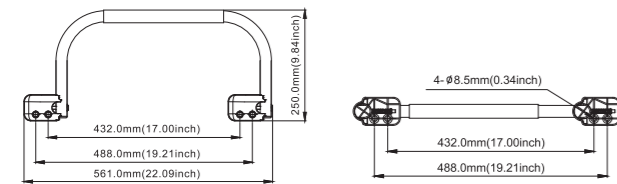
Model	Out-Size	In-Size	Color
SFCH1-052-03	5.2\"x2.6\"(130x66mm)	3.5\"(88mm)	White
SFCH2-052-03	5.2\"x2.6\"(130x66mm)	3.5\"(88mm)	Black



RV ASSIST RAIL MINI

FEATURES & BENEFITS

Provides a secure hold for entering and exiting your RV
 Designed to help you keep and maintain your balance
 Folds & locks to the side of your RV without tools
 Locks open to make entering and exiting your RV easier
 Available in white or black finishes with a black foam grip
 Available in 22.05" and 26.73" length

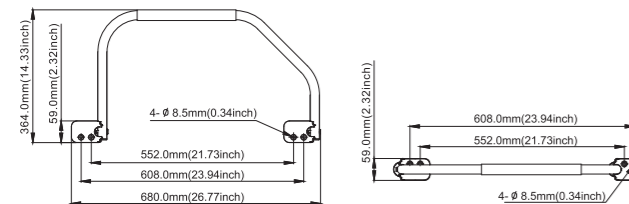


Model	Size	Color	Material
SFSH1-01	560mm*250mm*59.5mm	White	aluminum
SFSH2-01	560mm*250mm*59.5mm	Black	aluminum

RV ASSIST RAIL STANDARD

FEATURES & BENEFITS

Provides a secure hold for entering and exiting your RV
 Designed to help you keep and maintain your balance
 Folds & locks to the side of your RV without tools
 Locks open to make entering and exiting your RV easier
 Available in white or black finishes with a black foam grip
 Available in 22.05" and 26.73" length

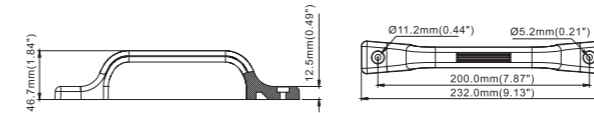


Model	Size	Color	Material
SFSH1-02	680mm*365mm*59.5mm	White	aluminum
SFSH2-02	680mm*365mm*59.5mm	Black	aluminum

GRAB HANDLE

FEATURES & BENEFITS

SEAFLO Grab Handle designed for safety and convenience
 Easy to install - Fits most RV's, Travel Trailer's, Fifth Wheel Trailers, Campers, Motor Home's, Cargo Trailers and Boats
 Can be mounted vertically or horizontally

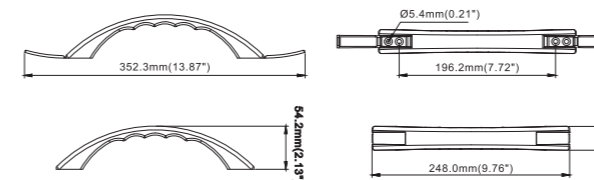


Model	Size	Color	Material
SFDK1-01	232mm*46.7mm*12.5mm	White	PA66
SFDK2-01	232mm*46.7mm*12.5mm	Black	PA66

ARCH ASSIST HANDLE

FEATURES & BENEFITS

SEAFLO Arch Handle designed in clean styling, shaped to fit your hand for a secure grip
 Easy to install - Fits most RV's, Travel Trailer's, Fifth Wheel Trailers, Campers, Motor Home's, Cargo Trailers and Boats
 Made with All Weather Impact Resistant Polypropylene

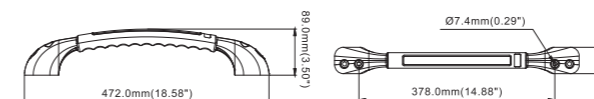


Model	Size	Color	Material
SFDK1-02	248mm*30mm*54.2mm	White	PP
SFDK2-02	248mm*30mm*54.2mm	Black	PP

SOFT TOUCH RV HAND RAIL

FEATURES & BENEFITS

Provides traction and grip for your hand
 Comfort grip for added stability and comfort
 More user friendly than most manufacture hand rails



Model	Size	Material
SFDK1-03	472mm*51mm*89mm	ABS & TPE

HATCHES

ABS Anti-aging, Anti-ultraviolet.
180° opening hatches.
Easy 'click-in' construction.
Corrosion free synthetic fittings and durable rubber seals.



Model	Size inch	d (mm)	D (mm)	Color
SFRH1-004-01	4	101	143	white
SFRH1-006-01	6	151	198	white
SFRH1-008-01	8	180	250	white



Model	H(mm)	L(mm)	h1(mm)	L1(mm)
SFRE1-270-375-01	270	375	192	291

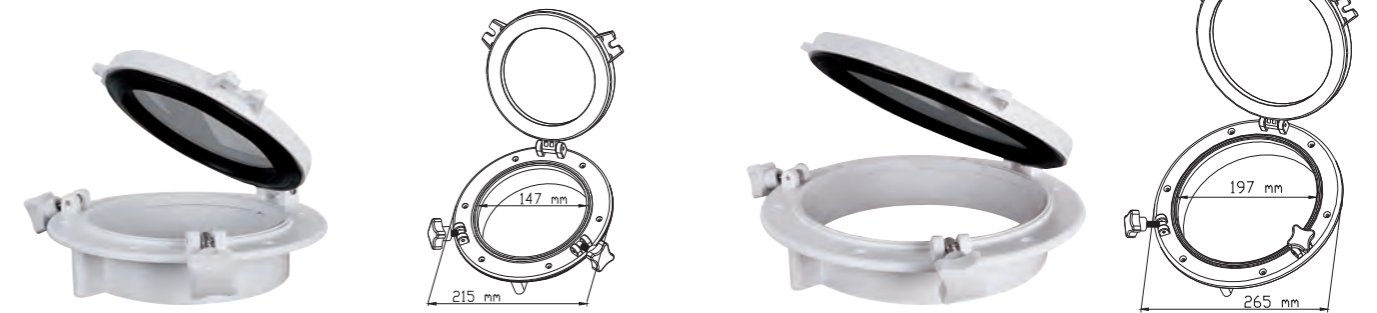


Model	H(mm)	L(mm)	h1(mm)	L1(mm)
SFRE1-243-607-01	243	607	168	525
SFRE1-315-440-01	315	440	240	358
SFRE1-353-606-01	353	606	278	524
SFRE1-370-375-01	370	375	295	295
SFRE1-460-510-01	460	510	383	436



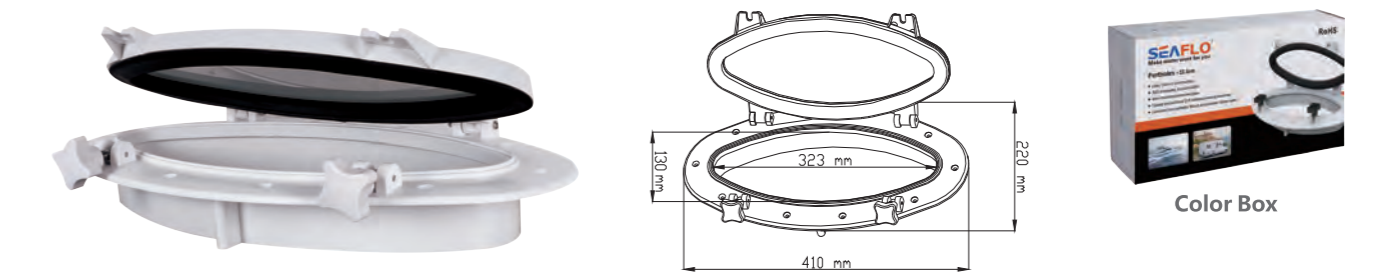
PORTHOLES

4 mm thickness tempered glass.
ABS Anti-aging, Anti-ultraviolet.
Casted and polished 316 stainless steel accessories.
Easy 'click-in' construction.
Corrosion free synthetic fittings and durable rubber seals.

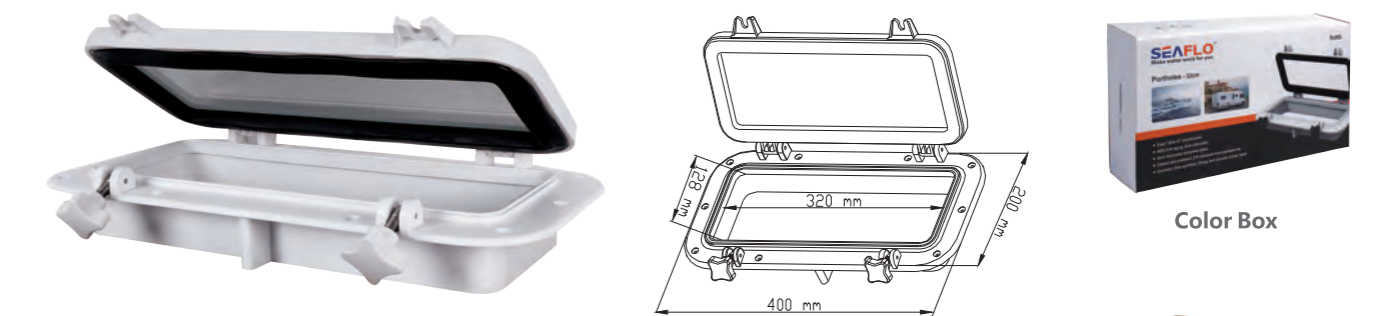


Model	Size (cm)	Color
SFPP1-01	21	white
SFPP2-01	21	black

Model	Size (cm)	Color
SFPP1-02	26	white
SFPP2-02	26	black



Model	Shape	Color
SFPP1-03	Oval shape porthole	white
SFPP2-03	Oval shape porthole	black



Model	Shape	Color
SFPP1-04	Rectangular shape porthole	white
SFPP2-04	Rectangular shape porthole	black



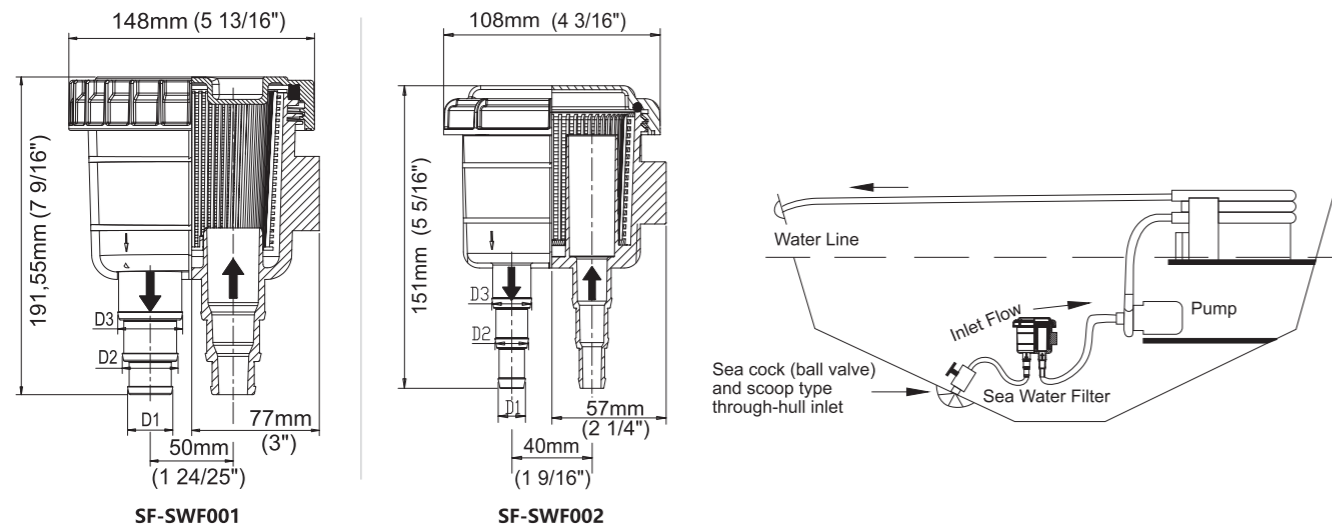


Color Box



SEA WATER FILTER

Seawater filter is a filter directly filter water suspended solids, particles and other impurities with a filter net, to reduce dirt, bacteria algae, rust, etc. in a pipe system, in this way to protect the pipe system and equipment and make them work properly.



Technical Date

Model	Output Size	Recommended Hose Size	Recommended Input
SF-SWF001	D1: 25.4 mm(1")	25 mm	91 L/min. 24 GPM US
	D2: 31.8 mm(1-1/4")	32 mm	143 L/min. 37.8 GPM US
	D2: 38.1 mm(1-1/2")	38 mm	200 L/min. 52.9 GPM US
SF-SWF002	D1: 12.7 mm(1/2")	13 mm	23 L/min. 6 GPM US
	D2: 15.9 mm(5/8")	16 mm	35 L/min. 9 GPM US
	D2: 19.1 mm(3/4")	19 mm	51 L/min. 13 GPM US

PLASTIC 5L, 10L, 20L AUTO SHUT OFF FUEL CANS

Fuel Container Gasoline, Diesel, Two-stroke engine oil EAP & AS/NZS 2906:2001 Standards

DESCRIPTION

Seaflo 5, 10 & 20 Litre automatic shut off fuel cans which are designed with specially proportioned rear handle for balanced pouring that is self venting for safer & easier pouring. Features reduced emissions to protect the environment and meets EAP & AS/NZS 2906:2001 Standards.

TYPICAL APPLICATIONS

Car, lawnmower, atv or snowblower and other essential equipment topped off with fuel

FEATURES & BENEFITS

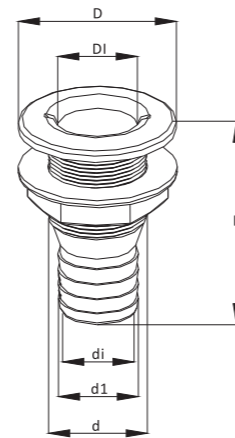
Complies to EPA & CARB Standards
Spill Proof, Durable Vented Pouring Spout
UV Stabilized High Grade Polyethylene
Certified to Australian Standard AS/NZS 2906:2001



Model	Capacity	Length	Width	Height	Weight (DRY)	Fuel	Color	Handle Type
SFGT-05-01	5 L	260 mm	130 mm	275 mm	0.8 kg	Gasoline	Red	Built-in
SFGT-10-01	10 L	290 mm	160 mm	346 mm	1.3 kg	Gasoline	Red	Built-in
SFGT-20-01	20 L	330 mm	190 mm	476 mm	1.8 kg	Gasoline	Red	Built-in
SFDT-05-01	5 L	260 mm	130 mm	275 mm	0.8 kg	Diesel	Yellow	Built-in
SFDT-10-01	10 L	290 mm	160 mm	346 mm	1.3 kg	Diesel	Yellow	Built-in
SFDT-20-01	20 L	330 mm	190 mm	476 mm	1.8 kg	Diesel	Yellow	Built-in
SF2T-05-01	5 L	260 mm	130 mm	275 mm	0.8 kg	Two-stroke Gasoline Engine Oil	Green	Built-in
SF2T-10-01	10 L	290 mm	160 mm	346 mm	1.3 kg	Two-stroke Gasoline Engine Oil	Green	Built-in
SF2T-20-01	20 L	330 mm	190 mm	476 mm	1.8 kg	Two-stroke Gasoline Engine Oil	Green	Built-in

Consult factory for other available models

GENUINE PARTS AND ACCESSORIES



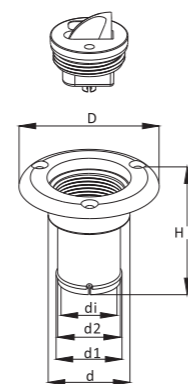
PLASTIC DRAIN SOCKETS

Model	Size inch	H (mm)	D (mm)	D1 (mm)	d (mm)	d1 (mm)	di (mm)	Color
SFDS1-0625-01	5/8"	73.5	42.0	17.0	23.5	16.0	10.0	White
SFDS2-0625-01	5/8"	73.5	42.0	17.0	23.5	16.0	10.0	Black
SFDS1-0750-01	3/4"	80.0	50.5	19.0	27.0	19.0	11.5	White
SFDS2-0750-01	3/4"	80.0	50.5	19.0	27.0	19.0	11.5	Black
SFDS1-1000-01	1"	93.0	61.0	26.0	33.0	25.5	18.0	White
SFDS2-1000-01	1"	93.0	61.0	26.0	33.0	25.5	18.0	Black
SFDS1-1250-01	1-1/4"	97.0	67.5	33.0	41.0	32.0	24.0	White
SFDS2-1250-01	1-1/4"	97.0	67.5	33.0	41.0	32.0	24.0	Black
SFDS1-1500-01	1-1/2"	102.0	75.0	47.0	46.5	38.5	28.0	White
SFDS2-1500-01	1-1/2"	102.0	75.0	47.0	46.5	38.5	28.0	Black
SFDS1-1125-01	1-1/8"	94.0	64.0	23.7	31.8	28.5	25.6	White
SFDS2-1125-01	1-1/8"	94.0	64.0	23.7	31.8	28.5	25.6	Black
SFDS1-2000-01	2"	130.0	90.0	49.0	57.0	50.8	47.3	White
SFDS2-2000-01	2"	130.0	90.0	49.0	57.0	50.8	47.3	Black



WATER DECK FILLER CAPS

FUEL DECK FILLER CAPS



Color Box



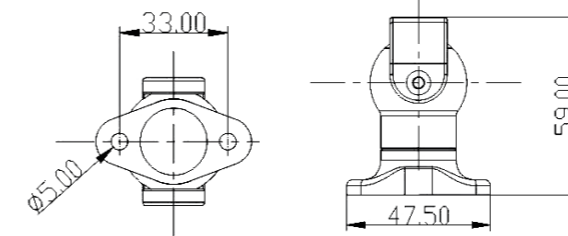
Kraft Box

Model	H (mm)	D (mm)	d (mm)	d1 (mm)	d2 (mm)	di (mm)	Color
SFCW1-01	70	85	50	40	38	34	white
SFCW2-01	70	85	50	40	38	34	black
SFCF1-01	70	85	50	40	38	34	white
SFCF2-01	70	85	50	40	38	34	black

DOOR HOLDER / KNOB FREE CABINET

FEATURES & BENEFITS

- Permanent magnet
- 4 kgs suction
- casted and polished 316 stainless steel accessories



Blister



SFDH1-01

GENUINE PARTS AND ACCESSORIES



A



B



C



D



E

WIRE HARNESES

Item Number	Type	Length	Molded 2-pin connector
A	16 AWG wiring harness with on-off switch car adaptor	95.27"	Yes
B	18 AWG wiring car adaptor	11.81"	Yes
C	18 AWG wiring 30-amp battery clips	12.80"	Yes
D	18 AWG wiring harness with on-off switch, two 30-amp battery clips	98.43"	Yes
E	18 AWG wiring harness with on-off switch	92.52"	Yes

GENUINE PARTS AND ACCESSORIES



PUMP FITTINGS

Item Number	Size	Fitting Type	Material
21F001	15/32" X 3/8" Barb	HB Elbow Fitting w/ O-Ring	PA
21F002	15/32" X 1/2" Barb	HB Elbow Fitting w/ O-Ring	PA
21F003	3/8" x 1/4" QA	TUBE Straight w/ O-Ring	POM
21F004	15/32" X 3/8" Barb	HB Elbow Fitting w/ O-Ring	PA
31F01	3/8" MNPT x 3/8" Barb	MNPT Straight Fitting	Nylon
35F01	5/8" QA x 3/8" Barb	HB Straight Fitting w/ O-Ring	Nylon
35F02	5/8" QA x 1/2" Barb	HB Straight Fitting w/ O-Ring	Nylon
35F03	5/8" QA x 3/8" Barb	HB Elbow Fitting w/ O-Ring	Nylon
35F04	5/8" QA x 1/2" Barb	HB Elbow Fitting w/ O-Ring	Nylon
41F001	3/4" QA x 1/2" Barb	HS Elbow Fitting w/ O-Ring	Black Nylon
41F002	3/4" QA x 1/2" MNPT	MNPT Elbow w/ O-Ring	Black Nylon
41F003	3/4" QA x 1/2" Barb	HS Straight Fitting w/ O-Ring	Black Nylon
41F004	3/4" QA x 1/2" MNPT	MNPT Straight w/ O-Ring	Black Nylon
41F005	3/4" QA x 1/2"	TUBE Straight w/ O-Ring	Black Nylon
41F006	3/4" QA x 3/4" Barb	HS Straight Fitting w/ O-Ring	Black Nylon
42F001	1/2" FNPT x G 1/2"	NPT Standard to G Standard	Copper
51F01	1/2" -14 FNPT x 1/2" Barb	HSE Barb Straight Fitting	POM & PP+20%GF
51F02	1/2" -14 FNPT x 3/8" Barb	HSE Barb Straight Fitting	POM & PP+20%GF
51F03	1/2" -14 FNPT x 1/2" Barb	HSE Barb Elbow Fitting	POM & PP+20%GF
51F04	1/2" -14 FNPT x 1/2" -14 MNPT	MNPT Elbow Fitting	POM & PP+20%GF
51F05	1/2" -14FNPT x 3/8" Barb	HSE Barb Elbow Fitting	POM & PP+20%GF
51F08	1/2" -14FNPT x 3/4" Barb	HSE Barb Straight Fitting	POM & PP+20%GF
51F09	1/2" FNPT x 1/2" FNPT	HSE Barb Straight Fitting	POM & PP+20%GF
51F10	3/4" MNPT x 1/2" FNPT	HSE Barb Straight Fitting	POM & PP+20%GF

GENUINE PARTS AND ACCESSORIES



PUMP FILTERS

Item Number	Size	Fitting Type	Mesh Size
35S01	5/8" Female Quick Attach	5/8" Male Quick Attach	50
41S03	3/4" Male Quick Attach	3/4" Female Quick Attach	50
51S01	1/2"-14 MNPT	1/2"-14 FNPT Inline Filter/Strainer	50
52S01	3/4" Male Quick Attach	1/2" Hose Barb	50



Model Number	Pressure Range	Suitable For
01 Series Pressure Switch	17PSI, 20-50PSI, 50-80PSI	21/22/33/41 short/42/43 series diaphragm pump
01 Series NTE Pressure Switch	17PSI, 20-50PSI, 50-80PSI	41 long/42 long/52 series diaphragm pump
02 Series Pressure Switch	50-80PSI	52/53 series diaphragm pump
03 Series Pressure Switch	50-80PSI, 80-120PSI, 120-160PSI	31/35 series diaphragm pump
51 Series NEW Pressure Switch	60PSI	51 new series diaphragm pump